



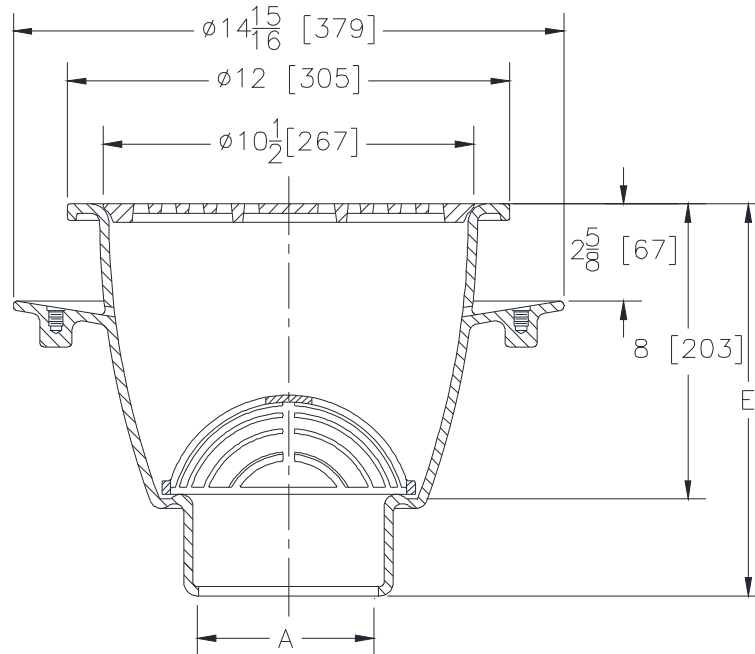
Z1950-K

12 [305] DIAMETER A.R.E. SANI-FLOR RECEPTOR
8 [203] SUMP DEPTH W/ ANCHOR FLANGE WITH
SEEPAGE HOLES

SPECIFICATION SHEET

TAG _____

Dimensional Data (inches and [mm]) are Subject to Manufacturing Tolerances and Change Without Notice



A - Pipe Size In. [mm]	Approx. Wt. Lbs [kg]	Grate Open Area Sq. In. [cm ²]
2,3,4 [51,76,102]	34 [17]	22 [142]

ENGINEERING SPECIFICATION: ZURNZ1950-K
Sani-Flor receptor 12" [305mm] diameter x 8" [203mm] deep cast iron body with seepage flange with seepage holes, and round slotted light duty grate, with white acid resisting porcelain enamel interior and top, black ground enamel exterior coating, and white ABS anti-splash interior bottom dome strainer.

OPTIONS (Check/specify appropriate options)

PIPE SIZE

- 3, 4 [75, 102]
- 2, 3, 4 [51, 75, 102]
- 2, 3, 4 [51, 75, 102]

OUTLET (Specify size/type)

- ___ IC Inside Caulk
- ___ NH No-Hub
- ___ NL Neo-Loc

'E' BODY HT. DIMENSION

Z	ZN
10-5/8 [270]	11 [279]
10-5/8 [270]	11 [279]
10 [254]	10-3/8 [264]

PREFIXES

- ___ Z Cast Iron Body with White A.R.E. Interior*
- ___ ZN Cast Iron Body with White A.R.E. Interior, 12-5/8 [321] Round Nickel Bronze Frame and Full Grate with 1/4 [6] Square Openings

SUFFIXES

- | | |
|---|---|
| ___ -LD (Less) Bottom Dome Strainer | ___ -6 Grate w/ 6 [152] diameter x 6 [152] High Funnel |
| ___ -P 1/2 [13] Trap Primer Connection (See Z1023) | ___ -8 Grate w/ 8-7/8 x 3-5/8 x 3-3/4 [225 x92 x 95] High Oval Funnel |
| ___ -TC Neo-Loc Test Cap Gasket (2, 3, 4 [51, 76, 102] NL Bottom Outlet Only) | ___ -11 Vandal Proof Secured Grate |
| ___ -1 (Less) Grate | ___ -15 Solid Loose Set Cover |
| ___ -2 1/2 Grate | ___ -23 Aluminum Bucket |
| ___ -3 3/4 Grate | ___ -25 White A.R.E. Bucket |
| ___ -4 Full Grate w/ 2 [51] Square Center Opening | ___ -31 Stainless Steel Mesh Liner for Bucket |
| | ___ -32 Aluminum Dome Strainer |
| | ___ -33 White A.R.E. Anti-Splash Bottom Dome Strainer |

* Regularly furnished unless otherwise specified.