

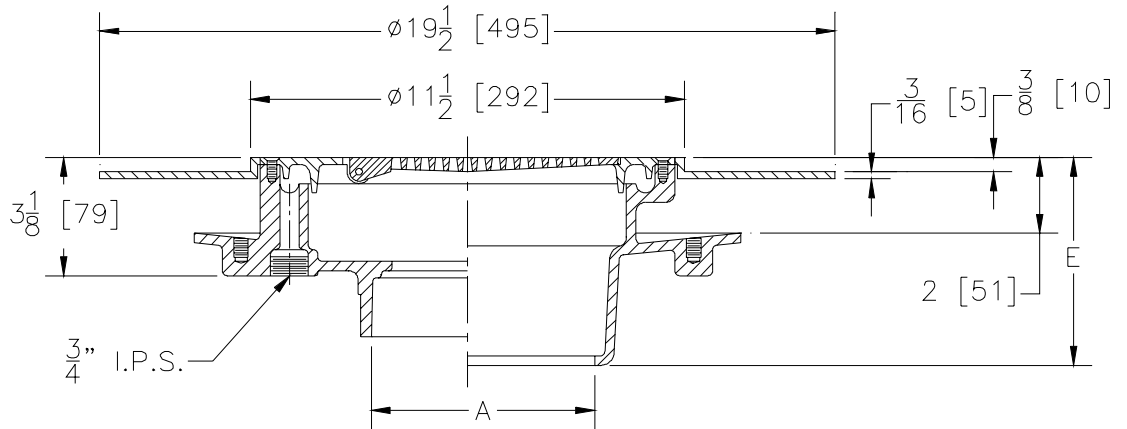
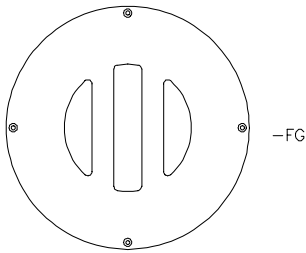
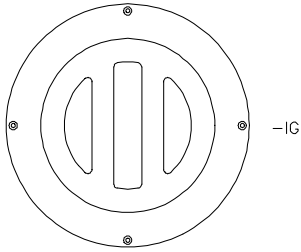
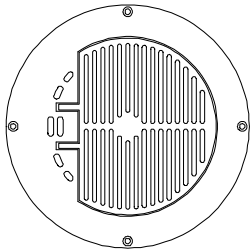


Z-310-78 THOROFLUSH DRAIN

SPECIFICATION SHEET

TAG _____

Dimensional Data (inches and [mm]) are Subject to Manufacturing Tolerances and Change Without Notice



A-Pipe Size Inches	Approx. Wt. Lbs.	Grate Open Area Sq. In.
2-3-4-6 [50-75-100-152]	20 [9]	18 [116]

ENGINEERING SPECIFICATION: ZURN ZN-310-78 Wide Flange Top Thoroflush Drain, cast iron body with acid resistant epoxy coated exterior and interior, bottom outlet, seepage pan, nickel bronze flushing rim top and slotted hinged grate.

OPTIONS (Check/specify appropriate options)

OUTLET (Specify type)

- _____ **IC** Inside Caulk
- _____ **IG** Inside Caulk w/Sealtrol Gskt.
- _____ **IP** Threaded
- _____ **NL** Neo-Loc

PIPE SIZE (Specify size)

- _____ 2",3",4",6" [50-75-100-152]
- _____ 2",3",4",6" [50-75-100-152]
- _____ 2",3",4",6" [50-75-100-152]
- _____ 2",3",4" [50-75-100]

'E' BODY HT. DIMENSION

- 5-1/2" [140]
- 5-1/2" [140]
- 3-1/8" [79]
- 4-5/8" [117]

PREFIXES

- _____ **ZB-** Cast Iron Body w/A.R.C. Interior and Exterior w/Polished Bronze Grate
- _____ **ZN-** Cast Iron Body w/A.R.C. Interior and Exterior w/Polished Nickel Bronze Grate*

SUFFIXES

- _____ **-C** Clamping Collar
- _____ **-FG** Free Set Grate (Previously Z-312)
- _____ **-IG** Integral Grate (Previously Z311)
- _____ **-SG** Solid Gasketed Grate
- _____ **-SP** Spark Proof Top
- _____ **-ST** Solid Top
- _____ **-VP** Vandal Proof Secured Top
- _____ **-WB** Water Control Box (See Z-1464)

*REGULARLY FURNISHED UNLESS OTHERWISE SPECIFIED

REV. _____	DATE <u>12/8/92</u>	C.N. NO. <u>68751</u>
DWG. NO. <u>P-13777</u>	PRODUCT NO. <u>Z-310-78</u>	

ZURN INDUSTRIES, INC. ♦ SPECIFICATION DRAINAGE OPERATION ♦ 1801 Pittsburgh Ave. ♦ Erie, PA 16514

Phone: 814/455-0921 ♦ Fax: 814/454-7929 ♦ World Wide Web: www.zurn.com

In Canada: ZURN INDUSTRIES LIMITED ♦ 3544 Nashua Drive ♦ Mississauga, Ontario L4V1L2 ♦ Phone: 905/405-8272 Fax: 905/405-1292