



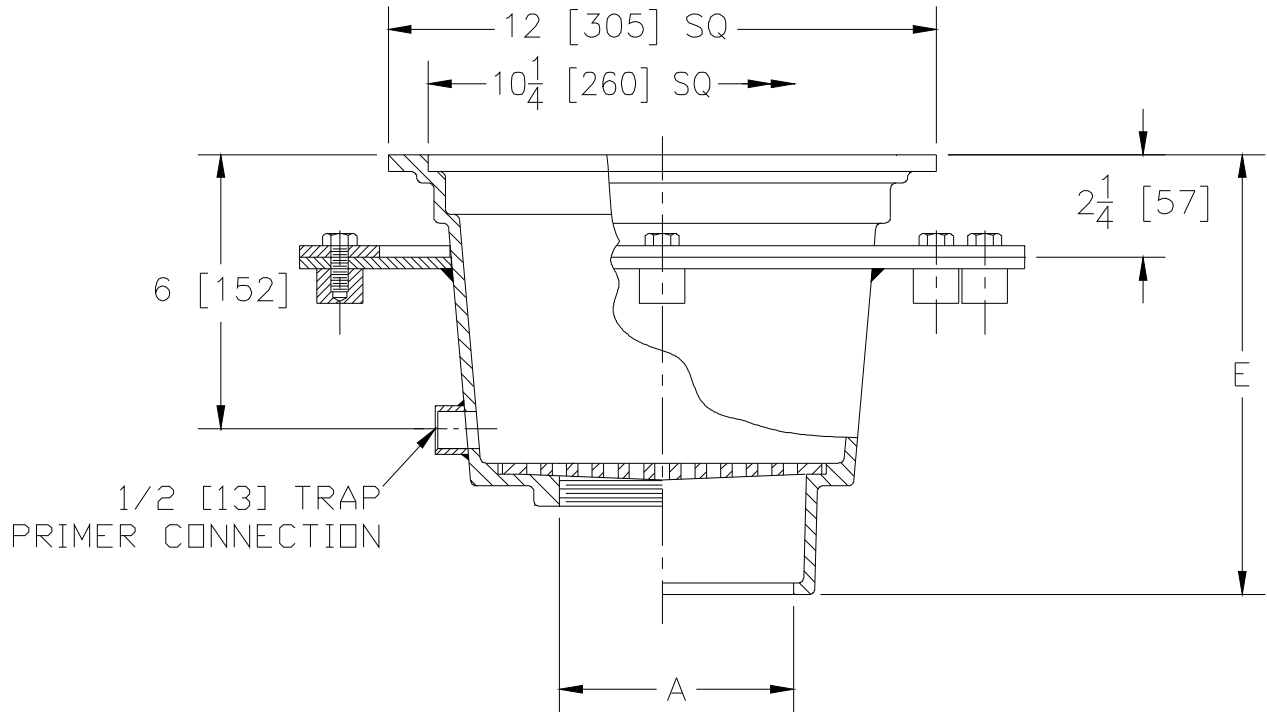
Z566-94

12 [305] SQUARE OPEN TOP DRAIN WITH ANCHOR FLANGE, CLAMPING COLLAR, AND TRAP PRIMER CONNECTION

SPECIFICATION SHEET

TAG _____

Dimensional Data (inches and [mm]) are Subject to Manufacturing Tolerances and Change Without Notice



A- Pipe Size In. [mm]	Approx. Wt. Lbs. [kg]
2, 3, 4 [51, 76, 102]	42 [19]

ENGINEERING SPECIFICATION: ZURN Z566-94

12" [305mm] Square open top drain, Dura-Coated cast iron body with seepage pan & clamping collar, 1/2" [13mm] trap primer connection, bottom outlet and loose set cast iron secondary strainer.

OPTIONS (Check/specify appropriate options)

PIPE SIZE

- 2, 3, 4 [51, 76, 102]
- 2, 3, 4 [51, 76, 102]
- 3, 4 [76, 102]
- 2, 3, 4 [51, 76, 102]

(Specify size/type) **OUTLET**

- ___ IC Inside Caulk
- ___ IG Inside Caulk w/Sealtrol Gskt.
- ___ IP Threaded
- ___ NL Neo-Loc

'E' BODY HT. DIM.

- 9-5/8 [244]
- 9-5/8 [244]
- 7-5/8 [194]
- 9 [229]

PREFIXES

- ___ Z D.C.C.I. Body and Grate*
- ___ ZB D.C.C.I. Body with Polished Bronze Top (Add 3/16 [5] to 'E' Dim.)
- ___ ZN D.C.C.I. Body with Polished Nickel Bronze Top (Add 3/16 [5] to 'E' Dim.)

SUFFIXES

- ___ -AR Acid Resisting Epoxy Coated Finish
- ___ -BT Bell Trap Bucket
- ___ -G Galvanized Cast Iron
- ___ -TG Top Grate
- ___ -Y Sediment Bucket

* Regularly furnished unless otherwise specified.