



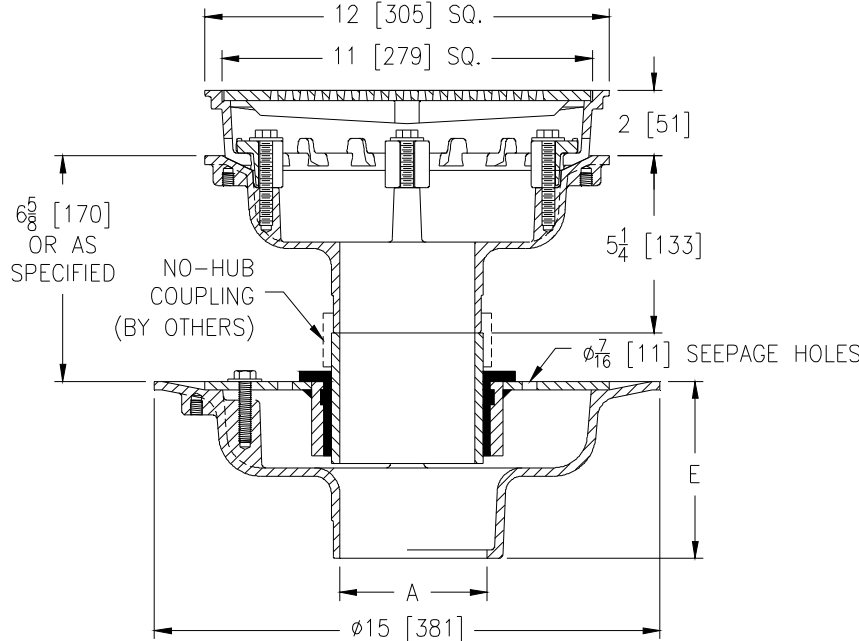
# Z627-102

## ISOLATION DECK DRAIN WITH UPPER Z154 DRAIN BODY

SPECIFICATION SHEET

TAG \_\_\_\_\_

Dimensional Data (inches and [ mm ]) are Subject to Manufacturing Tolerances and Change Without Notice



A Pipe Size In. [mm]	Approx. Wt. Lbs. [kg]	Grate Open Area Sq. In. [cm <sup>2</sup> ]
3, 4, 5, 6 [76, 102, 127, 152]	65 [29]	34 [219]

### ENGINEERING SPECIFICATION: ZURN Z627-102

Isolation deck drain, Dura-Coated cast iron upper and lower bodies, clamp collar with seepage holes, neoprene flex gasket, 4" [102mm] No-Hub and isolation nipple. Upper body with rotatable light-duty square cast iron promenade frame, frame clamps, and light duty heel proof grate.

### OPTIONS (Check/specify appropriate options)

#### PIPE SIZE

- 3, 4, 5, 6 [76, 102, 127, 152]
- 3, 4, 6 [76, 102, 152]
- 3, 4, 5, 6 [76, 102, 127, 152]
- 3, 4, 5, 6 [76, 102, 127, 152]
- 3, 4, 5, 6 [76, 102, 127, 152]

#### (Specify size/type) OUTLET

- \_\_\_ IC Inside Caulk
- \_\_\_ IG Inside Caulk w/Sealtrol Gskt.
- \_\_\_ IP Threaded
- \_\_\_ NH No-Hub
- \_\_\_ NL Neo-Loc

#### 'E' BODY HT. DIM.

- 5-1/4 [133]
- 5-1/4 [133]
- 3-3/4 [95]
- 5-1/4 [133]
- 4-5/8 [117]

#### PREFIXES

- \_\_\_ Z D.C.C.I Body w/ Top\*
- \_\_\_ ZB D.C.C.I Body w/ Polished Bronze Top
- \_\_\_ ZN D.C.C.I Body w/ Polished Nickel Bronze Top

#### SUFFIXES

- \_\_\_ -C Underdeck Clamp (Lower Body)
- \_\_\_ -CC Clamp Collar (Upper Body)
- \_\_\_ -G Galvanized Cast Iron
- \_\_\_ -R Sump Receiver (Lower Body)
- \_\_\_ -TS Top Secured with Slotted Screws
- \_\_\_ -VP Vandal-Proof Secured Top
- \_\_\_ -Y Sediment Bucket (Upper Body)

\* Regularly furnished unless otherwise specified.