



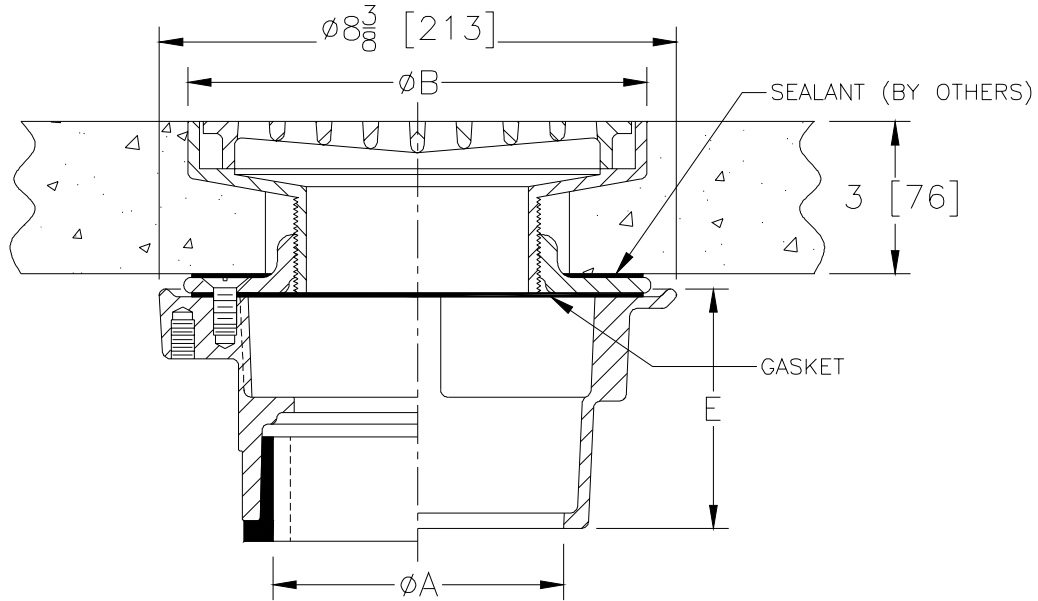
# Z415N-77

## BODY ASSEMBLY W/ "TYPE N" STRAINER - SHOWN INSTALLED

SPECIFICATION SHEET

TAG \_\_\_\_\_

Dimensional Data (inches and [ mm ]) are Subject to Manufacturing Tolerances and Change Without Notice



Dimensions In Inches		Approx. Wt. Lbs. [Kg.]	Strainer Open Area Sq. In. [Cm <sup>2</sup> ]
A - Pipe Size	B Strainer Dia.		
2-3-4 [51-76-102]	7 [178]	17 [8]	12 [77]
2-3-4 [51-76-102]	9 [229]	21 [10]	23 [148]
6 [152]	9 [229]	23 [10]	23 [148]

**ENGINEERING SPECIFICATION:** ZURN Z415N-77 Floor and shower drain, Dura-Coated cast iron body with bottom outlet, combination invertible membrane clamp and adjustable collar with "TYPE N" D.C.C.I. strainer with deep flanged grate.

**OPTIONS** (Check/specify appropriate options)

**PIPE SIZE**

- 2 thru 4 [51 thru 102]
- 2 [52]
- 3 [76]
- 4 [102]
- 6 [152]
- 2 thru 4 [51 thru 102]
- 2 thru 4 [51 thru 102]

(Specify size/type) **OUTLET**

- \_\_\_\_\_ IC Inside Caulk
- \_\_\_\_\_ IP Threaded
- \_\_\_\_\_ IP Threaded
- \_\_\_\_\_ IP Threaded
- \_\_\_\_\_ IP Threaded
- \_\_\_\_\_ NH No-Hub
- \_\_\_\_\_ NL Neo-Loc

**'E' BODY HT. DIM.**

- 3 7/8 [98]
- 2 3/8 [60]
- 2 5/8 [67]
- 2 7/8 [73]
- 2 3/4 [70]
- 3 7/8 [98]
- 4 5/8 [117]

**PREFIXES**

- \_\_\_\_\_ Z D.C.C.I. Body Assembly w/ Dura-Coated Top\*
- \_\_\_\_\_ ZB D.C.C.I. Body Assembly w/ Polished Bronze Top
- \_\_\_\_\_ ZN D.C.C.I. Body Assembly w/ Polished Nickel Bronze Top

**SUFFIXES**

- \_\_\_\_\_ -AR Acid Resisting Epoxy Coated Cast Iron
- \_\_\_\_\_ -DG Duresist Grate (Z Only)
- \_\_\_\_\_ -G Galvanized Cast Iron
- \_\_\_\_\_ -P Trap Primer Connection (Specify 1/2 [13] or 3/4 [19])
- \_\_\_\_\_ -TC Neo-Loc Test Cap Gasket (2 - 4 [51 - 102] NL Bottom Outlet Only)
- \_\_\_\_\_ -U 1 - 3 [25 - 76] High Extension Adapter
- \_\_\_\_\_ -V Backwater Valve
- \_\_\_\_\_ -VP Vandal-Proof Secured Top
- \_\_\_\_\_ -Y Sediment Bucket
- \_\_\_\_\_ -90 90° Threaded Side Outlet Body (2 [51], 3 [76] Only)

REV. A	DATE: 05/20/04	C.N. NO. 92241
DWG. NO. P-14676 PRODUCT NO. Z415N-77		

\*REGULARLY FURNISHED UNLESS OTHERWISE SPECIFIED