



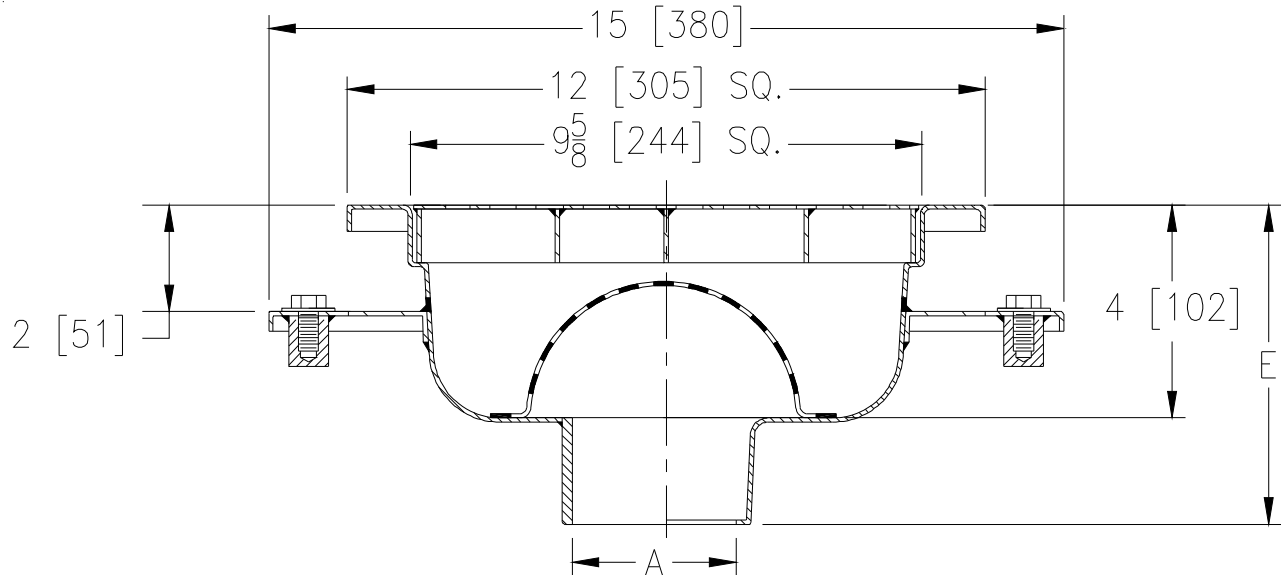
Z1749-KC

12 X 12 [305 x 305] SANI-FLOR RECEPTOR WITH
4 [102] SUMP DEPTH AND CLAMPING COLLAR

SPECIFICATION SHEET

TAG _____

Dimensional Data (inches and [mm]) are Subject to Manufacturing Tolerances and Change Without Notice



A- Pipe Size In. [mm]	Approx. Wt. Lbs. [kg]	Grate Open Area Sq. In. [cm ²]
2, 3, 4 [51, 76, 102]	15 [7]	23 [148]

ENGINEERING SPECIFICATION: ZURN Z1749-KC

12" x 12" x 4" [305mm x 305mm x 102mm] deep, 16 gage, All Type 304 (CF8) Stainless Steel light-duty Sani-Flor receptor with non-tilt, with seepage pan, seepage holes and clamp collar, loose set full grate with 1/2" [13mm] square openings and anti-splash stainless steel interior dome strainer.

OPTIONS (Check/specify appropriate options)

PIPE SIZE

2, 3, 4 [51, 76, 102]
2, 3, 4 [51, 76, 102]

(Specify size/type) OUTLET

___ NH No-Hub
___ NL Neo-Loc

'E' BODY HT. DIM.

6-1/16 [154]
5-13/16 [148]

PREFIXES

___ Z Type 304 (CF8) Stainless Steel Body*
___ ZM Type 316 (CF8M) Stainless Steel

SUFFIXES

___ -DX	Dex-o-tex Flange	___ -15	Solid Cover
___ -HD	Extra Heavy Duty Top Frame & Grate	___ -16	1/2 Solid Cover
___ -HP	Heel-Proof Grate	___ -19	Full Hinged Grate
___ -SG	Solid Gasketed Cover	___ -20	Full Hinged Cover
___ -TC	Neo-Loc Test Cap Gasket (3, 4 [76, 102] NL Bottom Outlet Only)		
___ -VP	Vandal-Proof Secured Top		
___ -Y	Sediment Bucket		
___ -YS	Suspended Sediment Bucket		
___ -1	(Less) Grate		
___ -2	1/2 Grate		
___ -3	3/4 Grate		
___ -4	Full Grate w/ 3 [76] Square Opening		
___ -5	Grate w/ 4 [102] dia. x 3-3/4 [95] High Funnel		
___ -8	Grate w/ 8-3/8 x 3-5/8 x 3-3/4 [213 x 92 x 95] High Oval Funnel		

* Regularly furnished unless otherwise specified.