



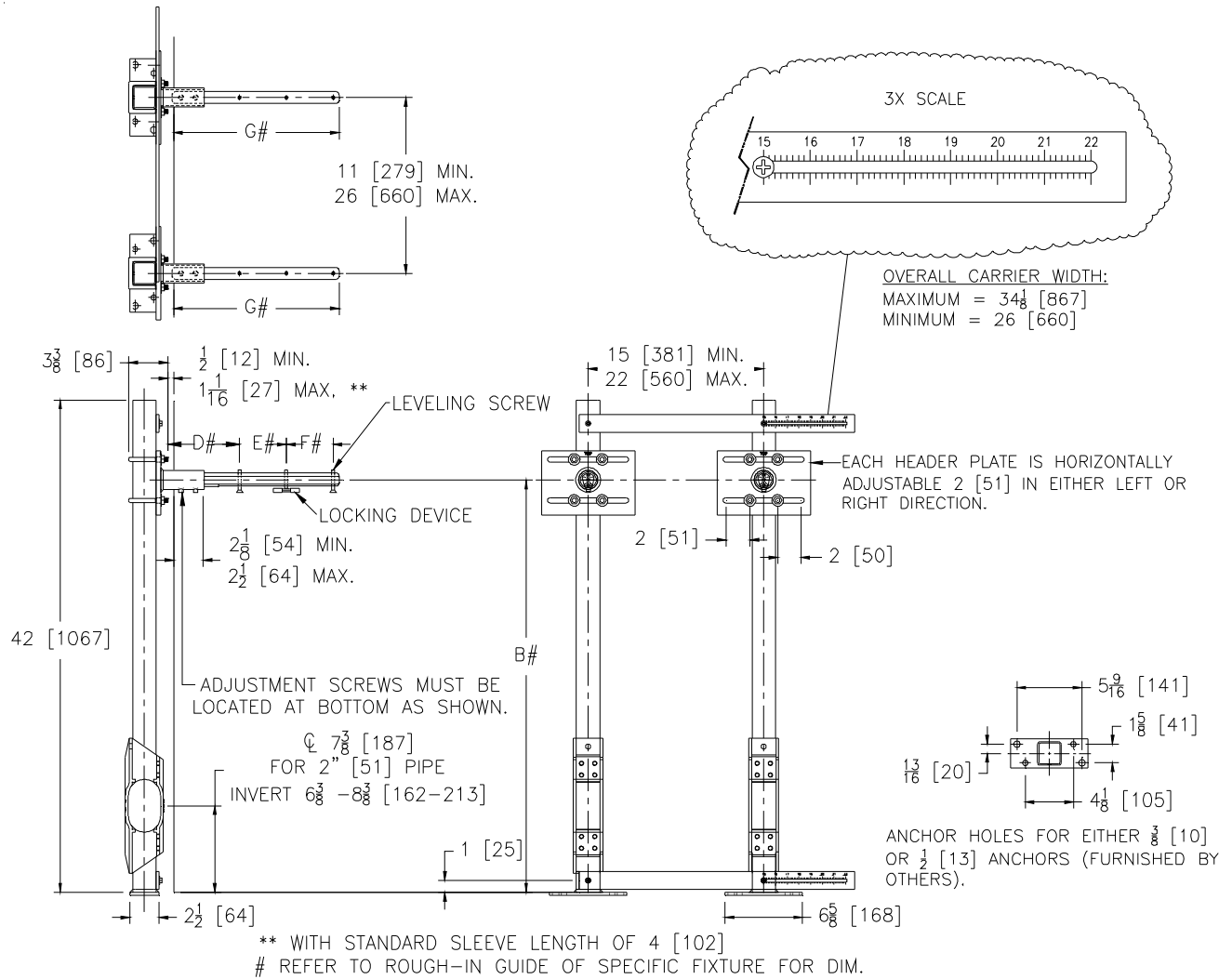
Z1231-EZR-79

CONCEALED ARM CARRIER SYSTEM FOR WALL HUNG
LAVATORY W/ ADJUSTABLE UPRIGHTS, HEADER
PLATES, AND WASTE LINE SLEEVES

SPECIFICATION SHEET

TAG _____

Dimensional Data (inches and [mm]) are Subject to Manufacturing Tolerances and Change Without Notice



Product No.	Approx. Wt. Lbs. [kg]
Z1231-EZR-79	63[24]

ENGINEERING SPECIFICATION: ZURN Z1231-EZR-79

Dura-coated cast iron waste line sleeve designed for use with Z1231-EZR lavatory carrier. Complete with integral positive stops for proper assembly with mating uprights and securing hardware. Sleeve allows for up to a 2" [51 mm] waste line to pass through while meeting the strength and deflection criteria of the carrier system, as required by ASME A112.6.1M.

OPTIONS (Check/specify appropriate options)

PREFIXES

___ Z Dura-Coated System with Support Plate*

SUFFIXES

___ -AL Adapter Lug
___ -E2 Concealed Arm Escutcheons 2 [51] Long

* Regularly furnished unless otherwise specified.

Zurn Industries, LLC | Specification Drainage Operation
1801 Pittsburgh Avenue, Erie, PA U.S.A. 16502 · Ph. 855-663-9876, Fax 814-454-7929
In Canada | Zurn Industries Limited
3544 Nashua Drive, Mississauga, Ontario L4V 1L2 · Ph. 905-405-8272, Fax 905-405-1292
www.zurn.com

Rev. -
Date: 7/26/2018
C.N. No. 140352
Prod. | Dwg. No. Z1231-EZR-79