



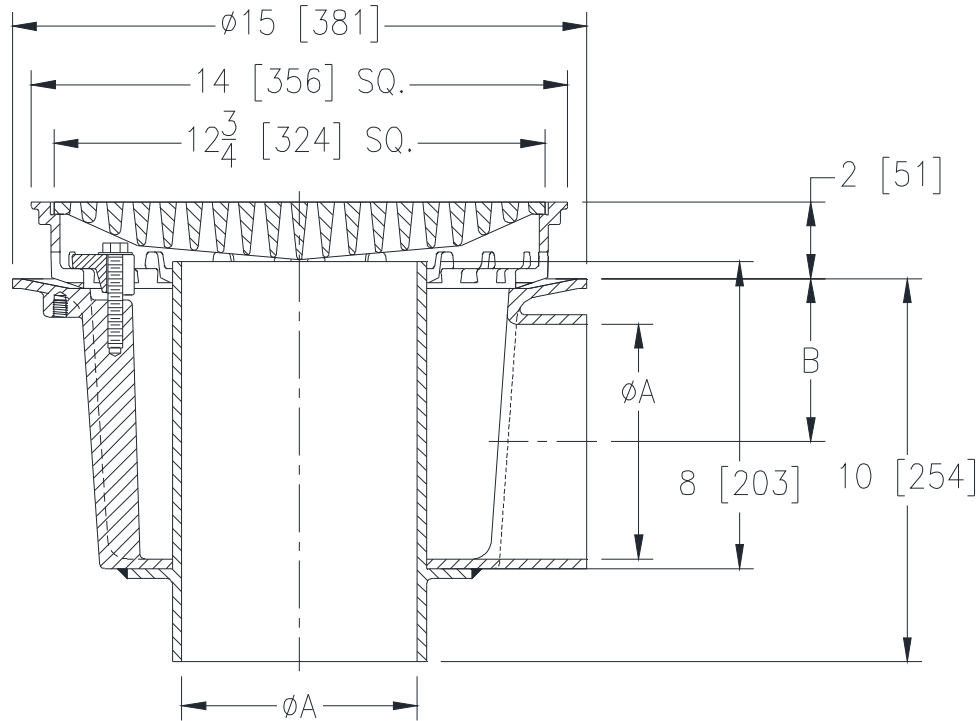
# Z150-153

## 14 [356] SQUARE DEEP SUMP DUAL OUTLET PROM DECK DRAIN WITH HEEL PROOF GRATE

SPECIFICATION SHEET

TAG \_\_\_\_\_

Dimensional Data (inches and [ mm ]) are Subject to Manufacturing Tolerances and Change Without Notice



A Pipe Size In. [mm]	B In. [mm]	Approx. Wt. Lbs. [kg]	Grate Open Area Sq. In. [cm <sup>2</sup> ]
3 [76]	5-9/16 [141]	60 [27]	44 [284]
4 [102]	5-1/16 [129]		
6 [152]	4 [102]		

**ENGINEERING SPECIFICATION: ZURN Z150-153**  
 14" [356mm] Square dual outlet prom deck drain with 90° primary outlet connection. Dura-Coated cast iron deep sump body with rotatable square promenade frame with seepage openings, frame clamps, heavy-duty heel proof grate, and 8" [203mm] high overflow pipe (3",4",6" [76mm,102mm,152mm])

**OPTIONS** (Check/specify appropriate options)

**PIPE SIZE** 3,4,6 [76,102,152] (Specify size) **OUTLET** \_\_\_\_\_ NH No-Hub

**PREFIXES**

- \_\_\_\_\_ Z D.C.C.I. Body with Top\*
- \_\_\_\_\_ ZB D.C.C.I. Body with Polished Bronze Top (Add 3/16 [5] to 2 [51] Dim & 3/8 [10] to 14 [356] Dim.)
- \_\_\_\_\_ ZN D.C.C.I. Body with Polished Nickel Bronze Top (Add 3/16 [5] to 2 [51] Dim. & 3/8 [10] to 14 [356] Dim.)

**SUFFIXES**

- \_\_\_\_\_ -AR Acid Resistant Epoxy Coated Finish
- \_\_\_\_\_ -C Underdeck Clamp
- \_\_\_\_\_ -DP Top-Set® Deck Plate
- \_\_\_\_\_ -DG Duresist Grate
- \_\_\_\_\_ -DU Cast Iron Dome on Overflow Pipe
- \_\_\_\_\_ -DX Dex-o-tex Flange (ZB and ZN Only)
- \_\_\_\_\_ -E Static Extension 1 [25] thru 4 [102] (Specify Ht)
- \_\_\_\_\_ -EA Adjustable Extension Assembly  
2 1/8 [54] thru 3 1/2 [89]
- \_\_\_\_\_ -G Galvanized Cast Iron
- \_\_\_\_\_ -HF High Flow Ductile Iron Grate  
(Open Area = 61 in<sup>2</sup> [394 cm<sup>2</sup>])
- \_\_\_\_\_ -TS Top Secured With Slotted Screws
- \_\_\_\_\_ -VP Vandal-Proof Secured Top
- \_\_\_\_\_ -45 45° Primary Outlet Connection  
(3 & 4 [76,102] Pipe only)
- \_\_\_\_\_ -85 Stainless Steel Perforated Extension

\* Regularly furnished unless otherwise specified.