

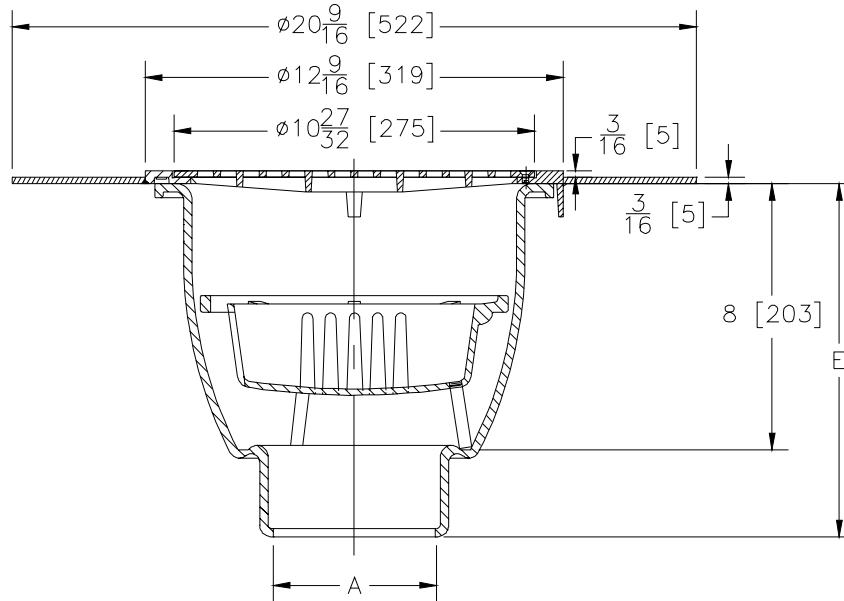


**Z1950-76 12 [305] DIAMETER A.R.E.
SANI-FLOR RECEPTOR
8 [203] SUMP DEPTH**

SPECIFICATION SHEET

TAG _____

Dimensional Data (inches and [mm]) are Subject to Manufacturing Tolerances and Change Without Notice



A- Pipe Size In.	Approx. Wt. Lbs	Grate Open Area Sq. In.
2-3-4 [52-76-102]	34 [15]	22 [142]

ENGINEERING SPECIFICATION: ZURN Z1950-76 Sani-Flor Receptor 12 [305] Dia. x 8 [203] deep cast iron body with Dex-o-tex flange and round slotted light duty grate, with white acid resisting porcelain enamel interior and top, complete with aluminum bucket.

OPTIONS (Check/specify appropriate options)

PIPE SIZE

(Specify size/type) **OUTLET**

'E' BODY HT. DIMENSION

2-3-4 [51-76-102]
2-3-4 [51-76-102]
2-3-4 [51-76-102]

___ IC Inside Caulk
___ NH No-Hub
___ NL Neo-Loc

ZN
11 [279]
11 [279]
10 1/2 [267]

PREFIXES

___ **ZN** Cast Iron Body with White A.R.E. Interior, 12-5/8 [321] Round Nickel Bronze Frame and Full Grate with 1/4 [6] Square Openings

SUFFIXES

___ -K	Seepage Flange w/Seepage Holes	___ -12	Depressed Aluminum Grate
___ -KC	Seepage Flange w/Seepage Holes W/Clamp Collar	___ -15	Solid Loose Set Cover
___ -LD	(Less) Bottom Dome Strainer	___ -16	1/2 Solid Loose Set Cover
___ -P	1/2 [13] Trap Primer Connection (See Z1023)	___ -17	3/4 Solid Loose Set Cover
___ -TC	Neo-Loc Test Cap Gasket (2 [51]-4 [102] NL Bottom Outlet Only)	___ -18	Solid Loose Set Cover w/2 [52] Sq. Center Opening
___ -1	(Less) Grate	___ -23	Aluminum Bucket
___ -2	1/2 Grate	___ -25	White A.R.E. Bucket
___ -3	3/4 Grate	___ -31	Stl. Steel Mesh Liner for Bucket
___ -4	Full Grate w/2 [52] Sq. Center Opening	___ -32	Aluminum Dome Strainer
___ -5	Grate w/4 [102] Dia. x 3-3/4 [95] High Funnel	___ -33	White A.R.E. Anti-Splash Bottom Dome Strainer
___ -6	Grate w/6 [154] Dia. x 6 [154] High Funnel		
___ -7	Grate w/6-3/4 [17] x 3 [76] x 1 [25] High Oval Funnel		
___ -8	Grate w/8-7/8 [225] x 3-5/8 [92] x 3-3/4 [95] High Oval Funnel		
___ -11	Vandal-Proof Secured Grate		

*REGULARLY FURNISHED UNLESS OTHERWISE SPECIFIED

REV. A DATE: 9/23/04 C.N. NO. 92592

DWG. NO. P-13730 PRODUCT NO. Z1950-76

ZURN INDUSTRIES, INC. ♦ SPECIFICATION DRAINAGE OPERATION ♦ 1801 Pittsburgh Ave. ♦ Erie, PA 16514

Phone: 814/455-0921 ♦ Fax: 814/454-7929 ♦ World Wide Web: www.zurn.com

In Canada: ZURN INDUSTRIES LIMITED ♦ 3544 Nashua Drive ♦ Mississauga, Ontario L4V1L2 ♦ Phone: 905/405-8272 Fax: 905/405-1292