



# ZS880-97

30 [762] STAINLESS STEEL  
LINEAR SHOWER DRAIN

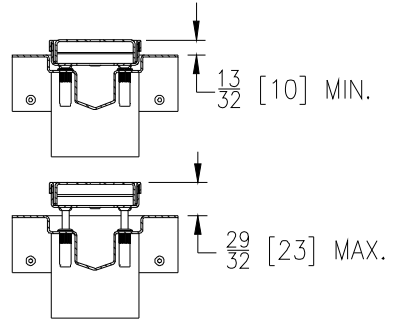
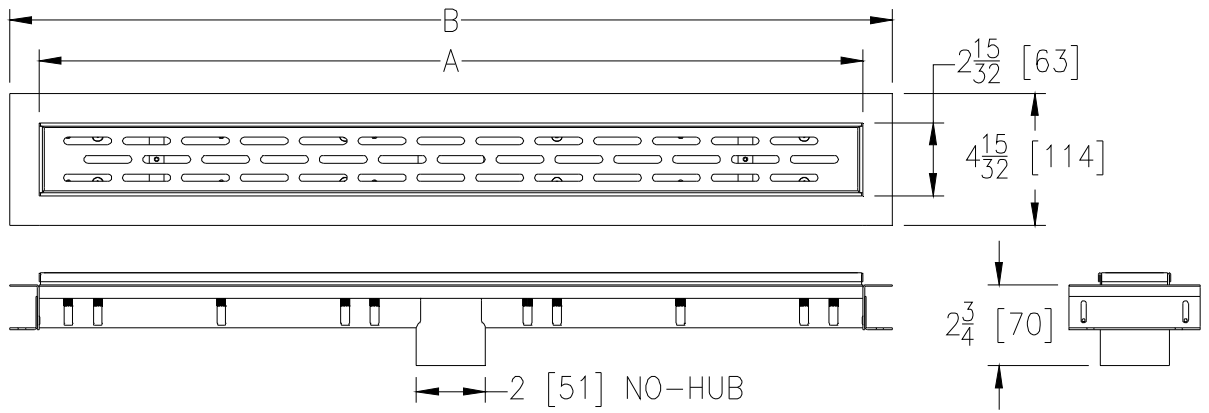
SPECIFICATION SHEET

TAG \_\_\_\_\_

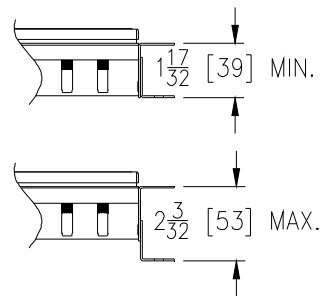
Dimensional data (inches and [mm]) are subject to manufacturing tolerances and change without notice.

Product Designation	Dimensions In Inches [mm]		Approx. Wt. Lbs. [kg]	Grate Open Area Sq. In. [cm <sup>2</sup> ]
	A	B		
-30	30 [762]	32 [813]	5.6 [2.5]	17 [110]

**PAT. NO.**  
**8,347,424**



FRAME ADJUSTMENT RANGE



ANCHORING SUPPORT LEG ADJUSTMENT RANGE

**ENGINEERING SPECIFICATION: ZS880-97**

30" [762 mm] Type 304 (CF8) Fabricated Stainless Steel Linear Shower Drain. Complete with vertically adjustable anchoring support legs, anti-ponding V-shaped channel with 2" [51mm] No-Hub center outlet, adjustable secured leveling frame with built-in tile edge, integral membrane flange for glue on waterproofing membrane, and secured, light-duty, slotted heel-proof grate. Drain is designed for installation in a minimum 2" [51mm] concrete pour and can be adjusted to accommodate 1/4" [6mm] and 3/8" [10mm] finished tile thicknesses.

**OPTIONS** (Check/specify appropriate options)

**PREFIXES**

- \_\_\_ ZS All Type 304 (CF8) Stainless Steel\*
- \_\_\_ ZR All Type 304 (CF8) Stainless Steel w/ Oil-Rubbed Bronze Finish

**GRATE OPTIONS**

- \_\_\_ -BW Basket Weave Grate
- \_\_\_ -DB Decorative Block Grate
- \_\_\_ -SG Serenity Grate
- \_\_\_ -TG Tile In-Lay Grate
- \_\_\_ -WG Wave Grate

**SUFFIXES**

- \_\_\_ -2 Two Bottom Outlets (2 [51] No-Hub, Not Available on Size -12)
- \_\_\_ -2IP 2 [51] Female IP Threaded Outlet
- \_\_\_ -3 Three Bottom Outlets (2 [51] No-Hub, Not Available on Size -12)
- \_\_\_ -EO End Bottom Outlet (2 [51] No-Hub, Not Available on Size -12)
- \_\_\_ -FS Outlet Filter Screen
- \_\_\_ -LB Lower Body With Membrane Clamp Collar
- \_\_\_ -SO Side Outlet (2 [51] No-Hub), Not available with -LB Option

\* Regularly furnished unless otherwise specified