

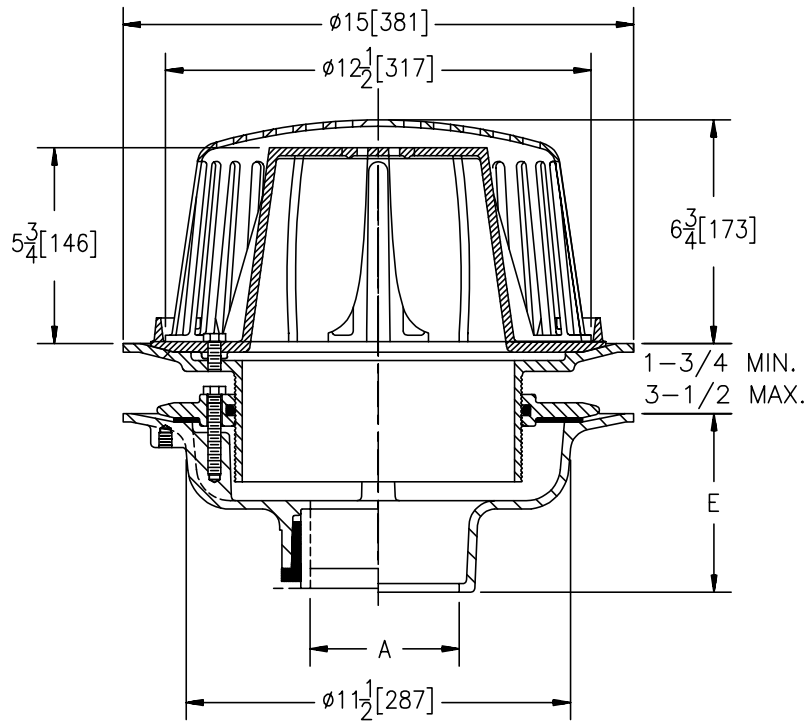


Z-105-81
"CONTROL-FLO" ROOF DRAIN
WITH PARABOLIC WEIR

SPECIFICATION SHEET

TAG _____

Dimensional Data (inches and [mm]) are Subject to Manufacturing Tolerances and Change Without Notice



A- Pipe Size In.	Approx. Wt. Lbs. [kg]	Dome Open Area Sq. In. [cm ²]
2-3-4 [50-75-100]	34 [15]	148 [955]

ENGINEERING SPECIFICATION: ZURN Z-105-81 "Control-Flo" roof drain for Dead-Level roof construction, Dura-Coated cast iron body, with adjustable extension assembly, 6 [152] high parabolic Control-Flow weir shall be linear functioning with integral membrane flashing clamp/gravel guard and 6 3/4 [171] Aluminum Dome. All data shall be verified proportional to flow rates.

OPTIONS (Check/specify appropriate options)

PIPE SIZE

- 2, 3, 4 [50, 75, 100]
- 2, 3, 4 [50, 75, 100]
- 2, 3, 4 [50, 75, 100]
- 2, 3, 4 [50, 75, 100]

(Specify size/type) **OUTLET**

- _____ IC Inside Caulk
- _____ IP Threaded
- _____ NH No-Hub
- _____ NL Neo-Loc

E BODY HT. DIM.

- 5 1/4 [133]
- 3 3/4 [95]
- 5 1/4 [133]
- 4 5/8 [117]

PREFIXES

- _____ ZA- D.C.C.I. Body with Aluminum Dome*

SUFFIXES

- _____ -C Underdeck Clamp
- _____ -E Static Extension 1 [25] thru 4 [102] (Specify Ht.)
- _____ -R Roof Sump Receiver
- _____ -SC Secondary Clamping Collar
- _____ -VP Vandal Proof Secured Top
- _____ -XJ Vertical Expansion Joint (See Z-190)
- _____ -90 90° Threaded Side Outlet Body

REV. DATE: 10/27/95 C.N. NO. 73179

DWG. NO. P-14258 PRODUCT NO. Z-105-81

*REGULARLY FURNISHED UNLESS OTHERWISE SPECIFIED