



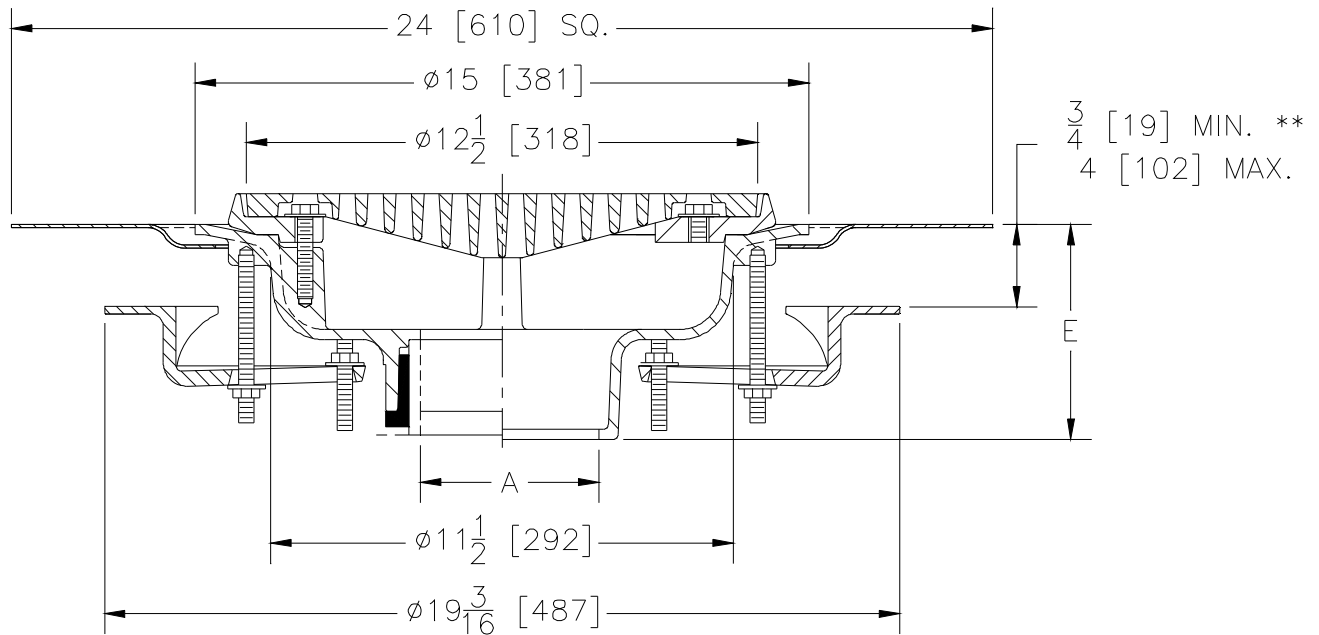
# Z100-C-FG-R

15 [381] DIAMETER ROOF DRAIN W/ UNDERDECK CLAMP, ROOF SUMP RECEIVER, AND FLUSH GRATE

SPECIFICATION SHEET

TAG \_\_\_\_\_

Dimensional Data (inches and [ mm ]) are Subject to Manufacturing Tolerances and Change Without Notice



A Pipe Size in [mm]	Approx Wt. lbs [kg]	Dome Open Area in <sup>2</sup> [cm <sup>2</sup> ]
2,3,4 [51,76,102]	48 [22]	103 [665]
6 [152]	49 [22]	
8 [203]	50 [23]	

### ENGINEERING SPECIFICATION: ZURN Z100-C-FG-R

15" [381mm] Diameter roof drain. Dura-Coated cast iron body with combination membrane flashing clamp/gravel guard with underdeck clamp, roof sump receiver and flush grate.

### OPTIONS (Check/specify appropriate options)

#### PIPE SIZE

3,4,6 [76,102,152]  
 2,3,4,6, 8 [51,76,102,152,203]  
 2,3,4,6, 8 [51,76,102,152,203]  
 2,3,4 [51,76,102]  
 6 [152]

#### (Specify size/type) OUTLET

\_\_\_\_\_ IC Inside Caulk  
 \_\_\_\_\_ IP Threaded  
 \_\_\_\_\_ NH No-Hub  
 \_\_\_\_\_ NL Neo-Loc  
 \_\_\_\_\_ NL Neo-Loc

#### E BODY HT. DIM.

5-1/4 [133]  
 3-3/4 [95]  
 5-1/4 [133]  
 4-5/8 [117]  
 5-7/16 [138]

#### PREFIXES

\_\_\_\_\_ ZC D.C.C.I. Body with Cast Iron Grate\*

#### SUFFIXES

_____ -AR	Acid Resistant Epoxy Coated	_____ -TC	Neo-Loc Test Cap Gasket (2,3,4 [51,76,102] NL Bottom Outlet Only)
_____ -E	Static Extension 1 [25] thru 4 [102] (Specify Ht.)	_____ -85	Stainless Steel Perforated Extension
_____ -EA	Adjustable Extension Assembly 2-1/8 [54] thru 3-1/2 [89]	_____ -89	2 [51] High External Water Dam
_____ -G	Galvanized Cast Iron	_____ -90	90° Threaded Side Outlet Body
_____ -SC	Secondary Clamping Collar		

\* Regularly furnished unless otherwise specified.

\*\* With standard studs, longer studs available upon request.