



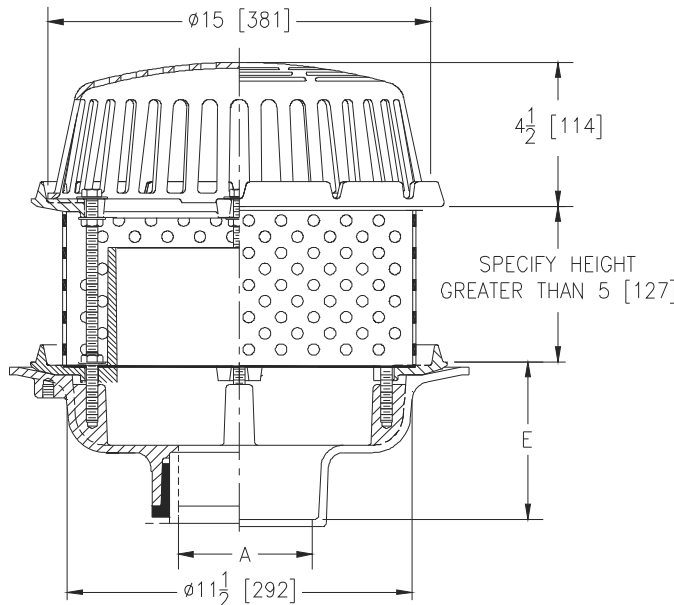
# Z100-258

SPECIFICATION SHEET

15 [381] DIAMETER MAIN ROOF DRAIN WITH SUBROOF INTERNAL WATER DAM AND STAINLESS STEEL PERFORATED EXTENSION

TAG \_\_\_\_\_

Dimensional Data (inches and [mm]) are Subject to Manufacturing Tolerances and Change Without Notice



A Pipe Size In.	Approx. Wt. Lbs. [kg]	Dome Open Area Sq. In. [cm <sup>2</sup> ]
2,3,4 [51,76,102]	26 [12]	103 [665]
5,6 [127,152]	27 [12]	
8 [203]	28 [13]	

**ENGINEERING SPECIFICATION: ZURN Z100-258**

15 [381] Diameter roof drain. Duracoated cast iron body with combination membrane flashing clamp/gravel guard with 4 [102] internal water dam, Stainless Steel perforated extension, gasket and low silhouette Poly-Dome.

**OPTIONS** (Check/specify appropriate options)

**PIPE SIZE**

- 2 thru 6,8 [51 thru 152,203]
- 2 thru 6,8 [51 thru 152,203]
- 2 thru 6,8 [51 thru 152,203]
- 2,3,4 [51,76,102]
- 6 [152]

(Specify size/type) **OUTLET**

- \_\_\_\_\_ IC Inside Caulk
- \_\_\_\_\_ IP Threaded
- \_\_\_\_\_ NH No-Hub
- \_\_\_\_\_ NL Neo-Loc
- \_\_\_\_\_ NL Neo-Loc

**E BODY HT. DIM.**

- 5-1/4 [133]
- 3-3/4 [95]
- 5-1/4 [133]
- 4-9/16 [116]
- 5-7/16 [112]

**PREFIXES**

- \_\_\_\_\_ Z D.C.C.I. Body with Poly-Dome\*
- \_\_\_\_\_ ZA D.C.C.I. Body with 6 3/4 [171] High Aluminum Dome
- \_\_\_\_\_ ZC D.C.C.I. Body with Cast Iron Dome
- \_\_\_\_\_ ZRB D.C.C.I. Body with Plain Bronze Dome

**SUFFIXES**

- |  |  |
|--|--|
| _____ -AC Angular Underdeck Clamp                                  | _____ -GD Galvanized Cast Iron Dome (ZC Only)  |
| _____ -AR Acid Resistant Epoxy Coated                              | _____ -HD 6 3/4 [171] High Aluminum Dome Strainer (148 Sq. In. [955 cm <sup>2</sup> ] Open Area) |
| _____ -BS Bronze Mesh Screen Over Dome                             | _____ -R Roof Sump Receiver  |
| _____ -C Underdeck Clamp   | _____ -SS Stainless Steel Mesh Screen Over Dome  |
| _____ -DE Deck Extension   | _____ -TC Neo-Loc Test Cap Gasket (2 - 4 [51 - 102] NL Bottom Outlet Only)                       |
| _____ -DP Top-Set® Deck Plate (Replaces both the -C and -R)        | _____ -VP Vandal-Proof Secured Top   |
| _____ -DR Top-Set® Drain Riser                                     | _____ -84 Stainless Steel Perforated Gravel Guard  |
| _____ -DX Dex-o-tex Flange   | _____ -90 90° Threaded Side Outlet Body (2 thru 6 [51 or 152])                                   |
| _____ -E Static Extension 1 [25] thru 4 [102] (Specify Ht.)        |  |
| _____ -EA Adjustable Extension Assembly 2 1/8 [54] thru 3 1/2 [89] |  |
| _____ -EB Top-Set® Adjustable Extension Assembly                   |  |
| _____ -FG Flush Grate (Replaces Dome Strainer)                     |  |
| _____ -G Galvanized Cast Iron                                      |  |

\*REGULARLY FURNISHED UNLESS OTHERWISE SPECIFIED

<b>REV.</b>	<b>DATE: 01/16/13</b>	<b>C.N. NO. 128687</b>
<b>DWG. NO. 311214 PRODUCT NO. Z100-258</b>		

ZURN INDUSTRIES, LLC ♦ SPECIFICATION DRAINAGE OPERATION ♦ 1801 Pittsburgh Ave. ♦ Erie, PA 16514

Phone: 814/455-0921 ♦ Fax: 814/454-7929 ♦ World Wide Web: www.zurn.com

In Canada: ZURN INDUSTRIES LIMITED ♦ 3544 Nashua Drive ♦ Mississauga, Ontario L4V1L2 ♦ Phone: 905/405-8272 Fax: 905/405-1292