



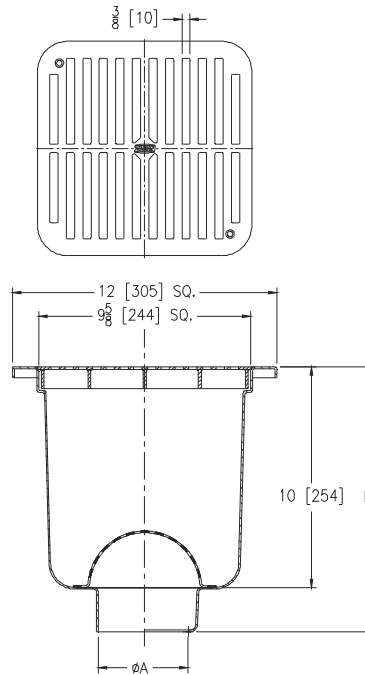
Z1752-154

12X12 [305X305] SANI-FLOR RECEPTOR 10 [254]
SUMP DEPTH WITH 3/8 [10] SLOTTED GRATE

SPECIFICATION SHEET

TAG _____

Dimensional Data (inches and [mm]) are Subject to Manufacturing Tolerances and Change Without Notice



A - Pipe Size Inches [mm]	Approx. Wt. Lbs. [kg]	Grate Open Area Sq. In. [cm ²]
2,3,4 [51,76,102]	22 [10]	41 [265]
6 [152]	23 [10]	

ENGINEERING SPECIFICATION: ZURN Z1752-154

12" x 12" x 10" [305mm x 305mm x 254mm] Deep, 16 gage, All Type 304 (CF8) Stainless Steel light-duty Sani-Flor receptor with non-tilt, loose set full grate with 3/8" [10mm] slot openings and anti-splash Stainless Steel interior dome strainer.

OPTIONS (Check/specify appropriate options)

PIPE SIZE

- 2,3,4 [51,76,102]
- 2 [51]
- 3 [76]
- 4 [102]
- 2,3,4, 6 [51,76,102,152]
- 2,3,4 [51,76,102]

(Specify size/type) **OUTLET**

- ___ IC Inside Caulk
- ___ IP Threaded
- ___ IP Threaded
- ___ IP Threaded
- ___ NH No-Hub
- ___ NL Neo-Loc

'E' BODY HT. DIM.

- 12-9/16 [319]
- 11-5/16 [287]
- 11-9/16 [294]
- 12-1/16 [306]
- 12-1/16 [306]
- 11-13/16 [300]

PREFIXES

- ___ Z Type 304 (CF8) Stainless Steel Body*
- ___ ZM Type 316 (CF8M) Stainless Steel

SUFFIXES

- ___ -DX Dex-O-Tex Flange
- ___ -K Anchor Flange
- ___ -KC Anchor Flange w/ Seepage Holes and Clamp Collar
- ___ -LD Less Bottom Dome Strainer
- ___ -LSH (Less) Seepage Holes
- ___ -P 1/2 [13] Trap Primer Connection
- ___ -TC Neo-Loc Test Cap Gasket
(2,3,4 [51,76,102] NL Bottom Outlet Only)
- ___ -VP Vandal-Proof Secured Top
- ___ -Y Sediment Bucket
- ___ -YS Suspended Sediment Bucket
- ___ -5 Grate w/ 4 [102] Diameter x 3-3/4 [95] High Type 304 Stainless Steel Funnel
- ___ -8 Grate w/ 8-3/8 x 3-5/8 x 3-3/4 [213 x 92 x 95] High Type 304 Stainless Steel Oval Funnel

* Regularly furnished unless otherwise specified.