



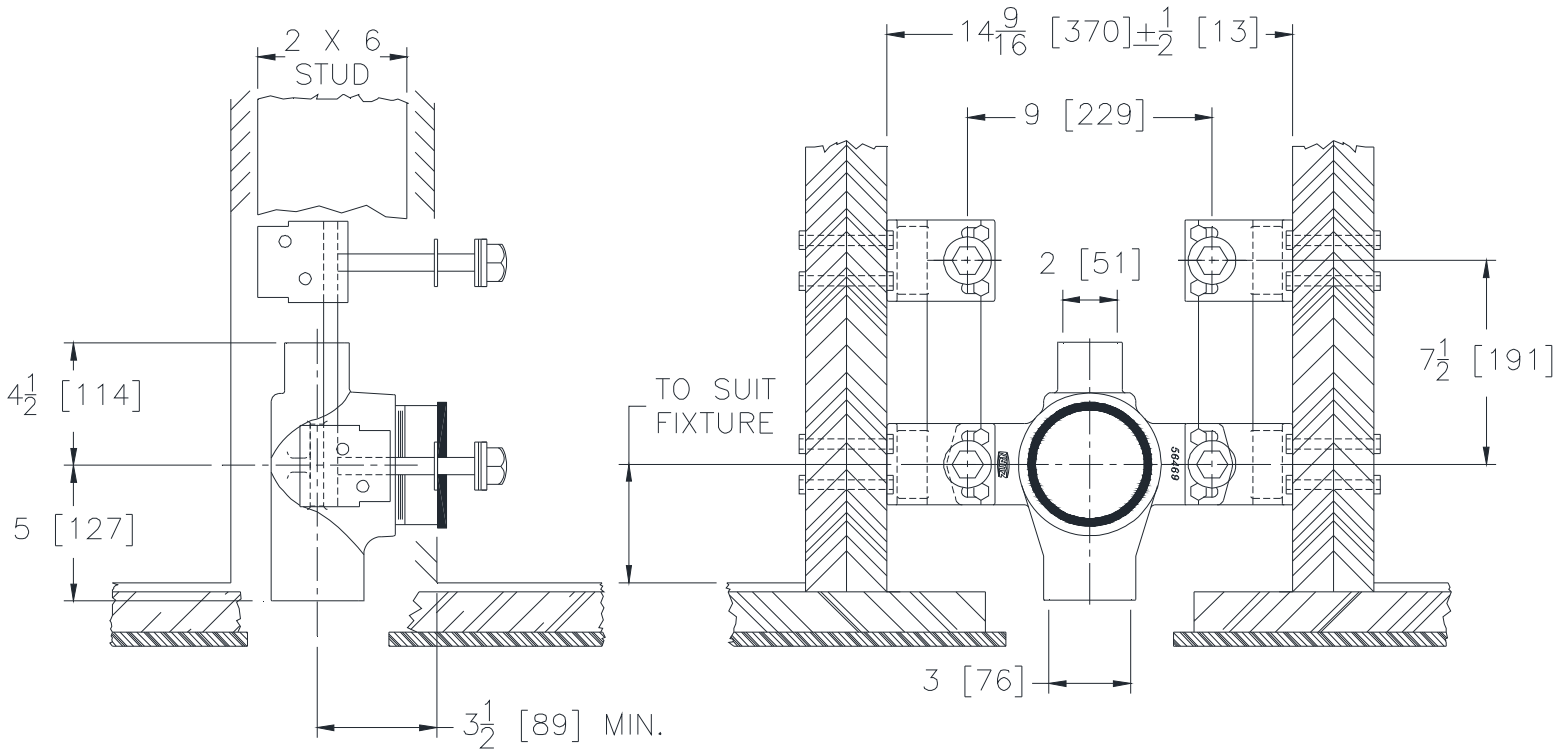
Z1280-N32

WOOD STUD SUPPORTED WATER CLOSET SUPPORT SYSTEM

SPECIFICATION SHEET

TAG _____

Dimensional Data (inches and [mm]) are Subject to Manufacturing Tolerances and Change Without Notice



Product Number	Approx. Wt. Lbs. [kg]
Z1280-N32	40 [18]

ENGINEERING SPECIFICATION: ZURN Z1280-N32

Wood stud supported water closet support system. Complete with Dura-Coated cast iron 3" [76mm] no-hub fitting with 2" [51mm] vent, support brackets, corrosion resistant PVC coupling, fixture bolts and trim, and bonded "Neo-Seal" gasket.

OPTIONS (Check/specify appropriate options)

PREFIXES

___ Z Dura-Coated Bracket and Fitting System*

SUFFIXES

___ -X4 4 [102] Inch High Foot Extension (For -Y Only)

___ -Y Foot Support System

* Regularly furnished unless otherwise specified.

Zurn Industries, LLC | Specification Drainage Operation
1801 Pittsburgh Avenue, Erie, PA U.S.A. 16502 · Ph. 855-663-9876, Fax 814-454-7929
In Canada | Zurn Industries Limited
3544 Nashua Drive, Mississauga, Ontario L4V 1L2 · Ph. 905-405-8272, Fax 905-405-1292
www.zurn.com

Rev. A
Date: 10/18/17
C.N. No. 138945
Prod. | Dwg. No. Z1280-N32