



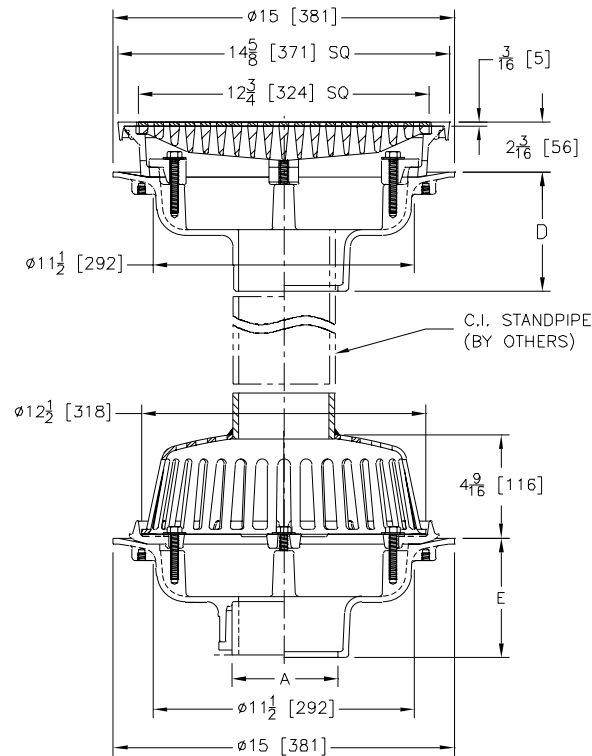
Z100-175

15 [381] DIAMETER ROOF DRAIN W/
14 5/8 [371] SQUARE TOP PROM DECK DRAIN

SPECIFICATION SHEET

TAG _____

Design and Dimensional Data (inches and [mm]) are Subject to Manufacturing Tolerances and Change Without Notice



'A' Pipe Size In. [mm]	Approx. Wt. Lbs. [kg]	Dome Open Area Sq. In. [cm ²]
2,3,4 [51,76,102]	26 [12]	103 [665]
6 [152]	27 [12]	
8 [203]	28 [13]	

ENGINEERING SPECIFICATION: ZURN Z100-175

15" [381mm] Diameter roof drain. Dura-Coated cast iron body with combination membrane flashing clamp/gravel guard, low silhouette cast iron dome with pipe coupling. Upper body consists of a ZN150 14 5/8 [371] Square Top Prom-Deck drain with Dura-Coated cast iron body, with rotatable square promenade frame, frame clamps and heavy-duty heel-proof grate with polished bronze top.

OPTIONS (Check/specify appropriate options)

PIPE SIZE

2, 3, 4, 6, 8 [51, 76, 102, 152, 203]
2, 3, 4, 6, 8 [51, 76, 102, 152, 203]
2, 3, 4, 6, 8 [51, 76, 102, 152, 203]
2, 3, 4 [51,76,102]
6 [152]

(specify size/type) OUTLET

___ IC Inside Caulk
___ IP Threaded
___ NH No-Hub
___ NL Neo-Loc
___ NL Neo-Loc

'E' BODY HT. DIM.

5-1/4 [133]
3-3/4 [95]
5-1/4 [133]
4-9/16 [116]
5-7/16 [138]

PREFIXES

___ ZC D.C.C.I. Body with Cast Iron Dome*

* Regularly furnished unless otherwise specified

⚠ **WARNING:** Cancer and Reproductive Harm - www.P65Warnings.ca.gov

⚠ **ADVERTENCIA:** Cáncer y daño reproductivo - www.P65Warnings.ca.gov

⚠ **AVERTISSEMENT:** Cancer et effets néfastes sur la reproduction - www.P65Warnings.ca.gov

Zurn Industries, LLC | Specification Drainage Operation
1801 Pittsburgh Avenue, Erie, PA 16502, Ph. 855.663.9876

In Canada | Zurn Industries Limited
7900 Goreway Drive, Unit 10, Brampton, Ontario L6T 5W6, Ph. 877.892.5216

www.zurn.com

Rev. A
Date: 11/26/2020
C.N. No. 143254
Prod. | Dwg. No. Z100-175