

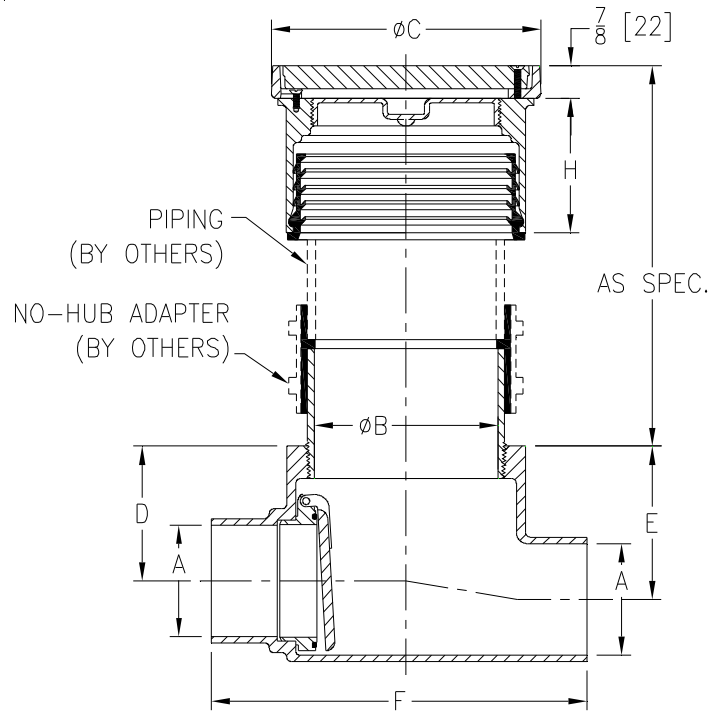


**Z1095-84**  
**BACKWATER VALVE W/NO-HUB**  
**INLELT/OUTLET & FLOOR LEVEL CLEANOUT**

**SPECIFICATION SHEET**

**TAG** \_\_\_\_\_

Dimensional Data (inches and [ mm ]) are Subject to Manufacturing Tolerances and Change Without Notice



| Dimensions In Inches |         |             |             |             |              |            | Approx. Wt. Lbs. [kg] |
|----------------------|---------|-------------|-------------|-------------|--------------|------------|-----------------------|
| Pipe Size            |         | C           | D           | E           | F            | H          |                       |
| A                    | B       |             |             |             |              |            |                       |
| 2 [51]               | 5 [127] | 7-1/4 [184] | 3-5/8 [92]  | 4-5/8 [117] | 10-1/8 [257] | 3-5/8 [92] | 35 [16]               |
| 3 [76]               | 5 [127] | 7-1/4 [184] | 3-5/8 [92]  | 4-1/8 [105] | 10-1/8 [257] | 3-5/8 [92] | 39 [18]               |
| 4 [102]              | 6 [152] | 8-1/4 [210] | 4-1/4 [108] | 4-3/4 [121] | 12 [305]     | 3-3/4 [95] | 43 [20]               |
| 6 [152]              | 8 [203] | 9-1/4 [235] | 4-1/2 [114] | 6 [152]     | 17-3/4 [451] | 3-5/8 [92] | 79 [36]               |

**ENGINEERING SPECIFICATION:** ZURN Z1095-84 Backwater Valve, Dura-Coated cast iron body, no-hub inlet and offset no-hub outlet, automatic ABS (3 [76] and 4 [102] only) flapper type backwater valve with o-ring, which hangs slightly open during periods on non-operation. Complete with non-adjustable floor cleanout with Dura-Coated cast iron body, gas and watertight ABS tapered thread plug and round scoriated secured cover and frame.

**CONNECTIONS** (Check/specify appropriate options)

**PIPE SIZE** (Specify size) **CONNECTION**  
 2, 3, 4, 6 [51, 76, 102, 152] \_\_\_\_\_ NH No-Hub

**PREFIXES**

- \_\_\_ Z D.C.C.I. Body\*
- \_\_\_ ZB D.C.C.I. Body with Nickel Bronze Top (Deduct 1/2 [13] from 7/8 [22] dim.)
- \_\_\_ ZN D.C.C.I. Body with Polished Nickel Bronze Top (Deduct 1/2 [13] from 7/8 [22] dim.)

**SUFFIXES**

- \_\_\_ -BP Bronze Plug
- \_\_\_ -BV Bronze Flapper Valve (3 [76] and 4 [102] Sizes)
- \_\_\_ -CM Carped Marker
- \_\_\_ -DX Round Top w/ Dex-o-Tex Flange (ZB & ZN only)
- \_\_\_ -G Galvanized Cast Iron
- \_\_\_ -HD Heavy-Duty Top (ZB & ZN only)
- \_\_\_ -T Square Top
- \_\_\_ -VP Vandal-Proof Screws

\* Regularly furnished unless otherwise specified.