

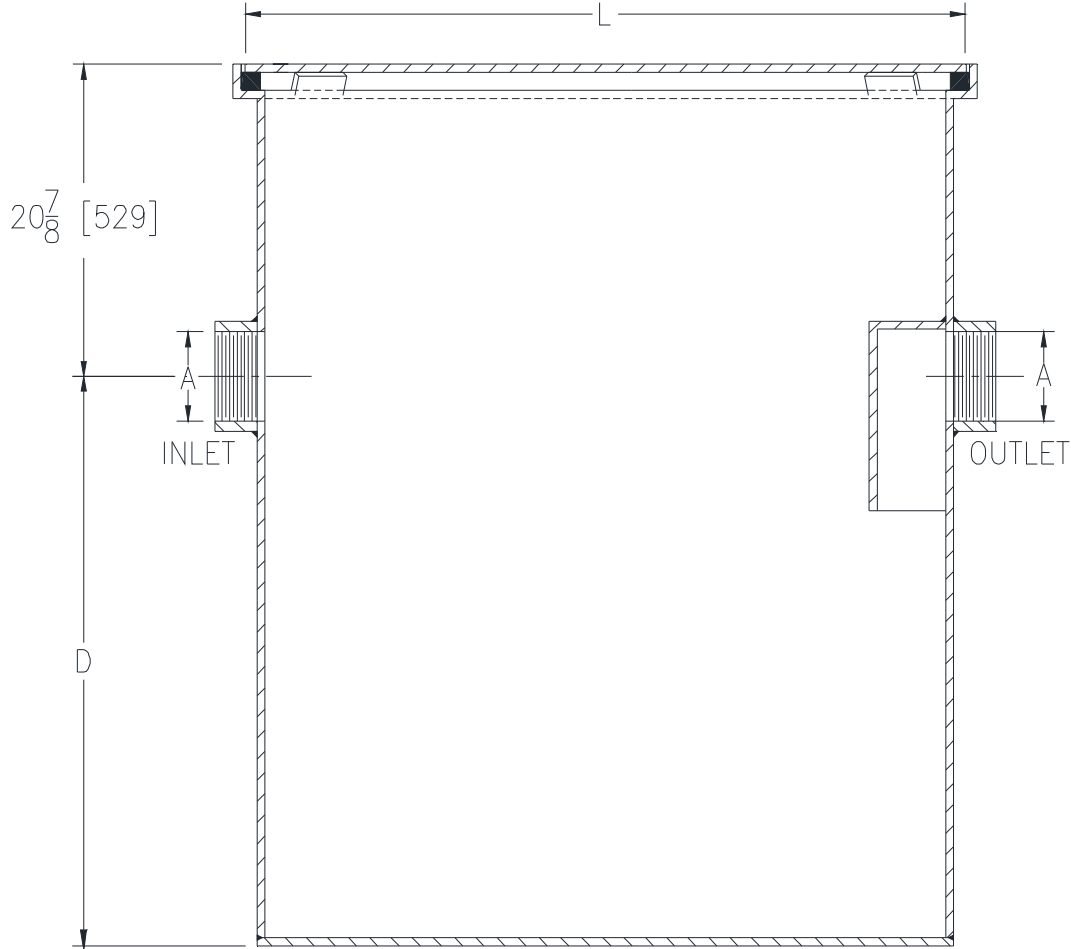


Z1187-SI-132
SIZE 58 SAND INTERCEPTOR

SPECIFICATION SHEET

TAG _____

Dimensional Data (inches and [mm]) are Subject to Manufacturing Tolerances and Change Without Notice



Size	Flow GPM [LPM] (Max.)	A Pipe Size	L	D	Capacity Gal. [L] (Static)	Width
58	58 [220]	6 [152]	48-1/2 [1232]	25 [635]	140 [530]	30-1/2 [775]

ENGINEERING SPECIFICATION: ZURN Z1187-SI-132

Acid Resistant Coated interior and exterior fabricated steel sand interceptor with threaded inlet and outlet, complete with secured, gasketed, non-skid cover.

OPTIONS (Check/specify appropriate options)

PREFIXES

___ Z Acid Resistant Coated Fabricated Steel*

SUFFIXES

- ___ -E 6 [152] Integral Extension Assembly for Recessed Installation
- ___ -NH No-Hub Inlet and Outlet (Specify Size)
- ___ -VP Vandal Proof Screws

* Regularly furnished unless otherwise specified.