



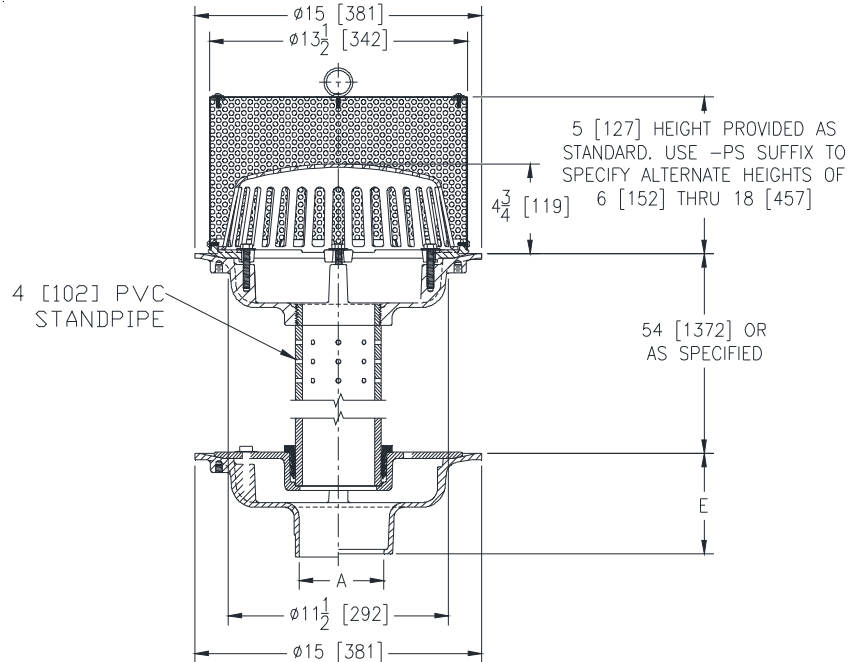
Z624-126

ISOLATION DECK DRAIN W/ Z110 UPPER GREEN ROOF DRAIN AND PERFORATED STANDPIPE

SPECIFICATION SHEET

TAG _____

Dimensional Data (inches and [mm]) are Subject to Manufacturing Tolerances and Change Without Notice



A Pipe Size In [mm]	Approx. Wt. Lbs. [kg]	Dome Open Area Sq. In. [cm ²]
2, 3, 4, 6 [51, 76, 102, 152]	64 [29]	103 [665]

ENGINEERING SPECIFICATION: ZURN Z624-126

Floating slab drain, Dura-Coated cast iron upper and lower bodies, lower clamp collar with weep holes, neoprene flex gasket, upper combination membrane flashing clamp/gravel guard, low silhouette poly-dome, and secured stainless steel, perforated screen assembly with secured, removeable access cover with lift handle.

OPTIONS (Check/specify appropriate options)

PIPE SIZE

2,3,4,6 [51,76,102,152]
2,3,4 [51,76,102]

(Specify size/type) OUTLET

___ NH No-Hub
___ NL Neo-Loc

'E' BODY HT. DIM.

5-1/4 [133]
4-5/8 [117]

PREFIXES

___ Z D.C.C.I. Body with Poly-Dome*
___ ZA D.C.C.I Body w/ Aluminum Dome Cast
___ ZC D.C.C.I Body w/ Cast Iron Dome
___ ZRB D.C.C.I Body w/ Plain Bronze Dome

SUFFIXES

___ -AC Angular Underdeck Clamp (Lower Body)	___ -SS Stainless Steel Mesh Screen Over Standpipe
___ -C Underdeck Clamp (Lower Body)	___ -ST Dome with Solid Top (ZA, ZC & ZRB Only)
___ -DP Top-Set Deck Plate	___ -TC Neo-Loc test cap Gasket (2,3,4 [51,76,102] NL Outlet Only)
___ -DX Dex-O-Tex Flange (Upper Body)	___ -VP Vandal-Proof Secured Top
___ -G Galvanized Cast Iron	___ -W2 2 [51] Internal Water Dam
___ -LH Less Weep Holes in Clamp Collar	___ -W3 3 [76] Internal Water Dam
___ -PS Perforated Screen 6 [152] thru 18 [457] (Specify Height Required)	___ -W4 4 [102] Internal Water Dam
___ -R Sump Receiver (Lower Body)	___ -90 90° Threaded Side Outlet Body (2,3,4,6 [51,76,102,152])

* Regularly furnished unless otherwise specified.

Zurn Industries, LLC | Specification Drainage Operation
1801 Pittsburgh Avenue, Erie, PA U.S.A. 16502 · Ph. 855-663-9876, Fax 814-454-7929
In Canada | Zurn Industries Limited
3544 Nashua Drive, Mississauga, Ontario L4V 1L2 · Ph. 905-405-8272, Fax 905-405-1292
www.zurn.com

Rev. -
Date: 12/05/17
C.N. No. 139276
Prod. | Dwg. No. Z624-126