



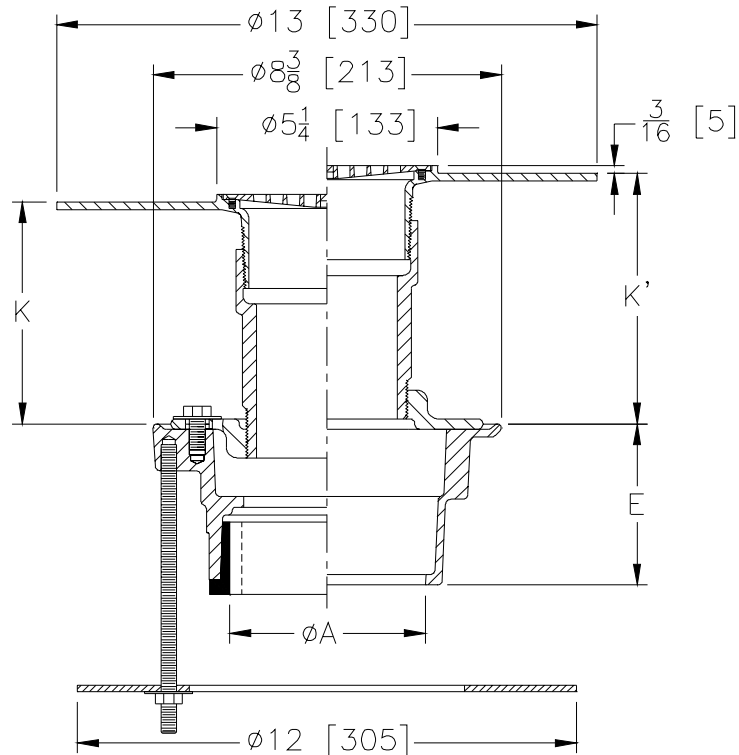
Z415BL-75

BODY ASSEMBLY W/ "TYPE BL" STRAINER EXTENSION ADAPTER & UNDERDECK CLAMP

SPECIFICATION SHEET

TAG _____

Dimensional Data (inches and [mm]) are Subject to Manufacturing Tolerances and Change Without Notice



Dimensions In Inches					Approx. Wt. Lbs. [Kg.]	Strainer Open Area Sq. In. [cm ²]
A - Pipe Size	K		K'			
	Min.	Max.	Min.	Max.		
2-3-4-6 [51-76-102-152]	3 5/16 [21]	6 5/16 [41]	4 1/8 [27]	7 3/16 [46]	18 [8]	7 [21]

ENGINEERING SPECIFICATION: ZURN ZN415BL-75
Floor and shower drain, Dura-Coated cast iron body with bottom outlet, combination invertible membrane clamp and adjustable collar with "Type BL" D.C.C.I. wide flanged head, extension adapter, underdeck clamp and polished nickel bronze strainer.

OPTIONS (Check/specify appropriate options)

PIPE SIZE

- 2 thru 4 [51 thru 102]
- 2 [51]
- 3 [76]
- 4 [102]
- 6 [152]
- 2 thru 4 [51 thru 102]
- 2 thru 4 [51 thru 102]

(Specify type/size) **OUTLET**

- _____ **IC** Inside Caulk
- _____ **IP** Threaded
- _____ **IP** Threaded
- _____ **IP** Threaded
- _____ **IP** Threaded
- _____ **NH** No-Hub
- _____ **NL** Neo-Loc

'E' BODY HT. DIMENSION

- 3 7/8 [98]
- 2 3/8 [60]
- 2 5/8 [66]
- 2 7/8 [73]
- 2 3/4 [69]
- 3 7/8 [98]
- 4 5/8 [117]

PREFIXES

- _____ **ZB** D.C.C.I. Body Assembly with Polished Bronze Top
- _____ **ZN** D.C.C.I. Body Assembly with Polished Nickel Bronze Top*

SUFFIXES

- _____ **-AR** Acid Resisting Epoxy Coated Cast Iron
- _____ **-CP** Chrome-Plated Bronze Top
- _____ **-G** Galvanized Cast Iron
- _____ **-P** Primer Connection (Specify 1/2 [13] or 3/4 [19])
- _____ **-SH** Four (4) Securing Holes
- _____ **-TC** Neo-Loc Test Cap Gasket (2 - 4 [51 -102] NL Bottom Outlet Only)
- _____ **-VP** Vandal-Proof Secured Top
- _____ **-Y** Sediment Bucket

*REGULARLY FURNISHED UNLESS OTHERWISE SPECIFIED

REV. A	DATE: 03/24/04	C.N. NO. 92055
DWG. NO. P-13891	PRODUCT NO. Z415BL-75	