

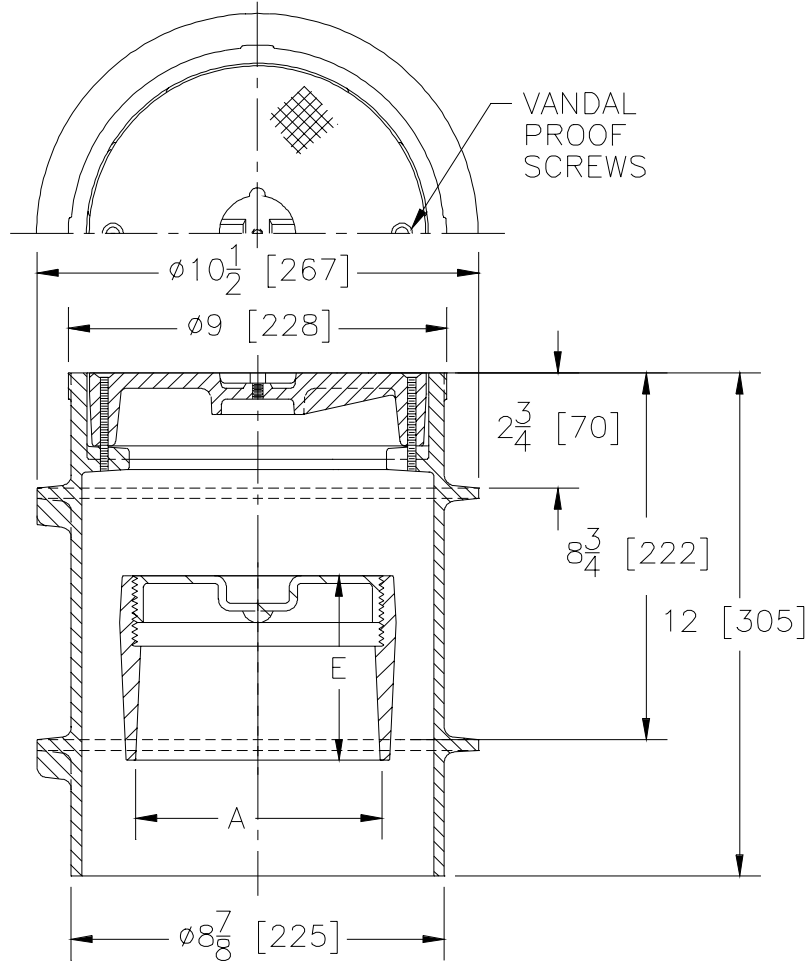


Z-1474-75 HEAVY DUTY CLEANOUT HOUSING

SPECIFICATION SHEET

TAG _____

Dimensional Data (inches and [mm]) are Subject to Manufacturing Tolerances and Change Without Notice



Dimensions In Inches		Approx. Wt. Lbs.
A-Pipe Size	E	
2[51]	2-1/2[64]	42[19]
3[76]	2-3/4[70]	44[20]
4[102]	3[76]	45[20]
5[127]	3[76]	47[21]
6[152]	3[76]	48[22]

ENGINEERING SPECIFICATION: ZURN Z-1474-75 Heavy Duty Cleanout Housing. Dura-Coated cast iron body with integral anchor flange, vandal proof secured scoriated cover with lifting device and dura-coated cleanout body with bronze plug.

OPTIONS (Check/specify appropriate options)

PREFIXES

- _____ **Z-** D.C.C.I. Body and Cover*
- _____ **ZB-** D.C.C.I. Body with Polished Bronze Cover (Add 3/16"[5] to 2-3/4"[70] Dim. & 5/8"[16] to 9"[229] Dim.)
- _____ **ZN-** D.C.C.I. Body with Nickel Bronze Cover (Add 3/16"[5] to 2-3/4"[70] Dim. & 5/8"[16] to 9"[229] Dim.)

SUFFIXES

- _____ **-DC** Duresist Cover
- _____ **-G** Galvanized Cast Iron
- _____ **-SG** Solid Gasketed Cover

REV. _____	DATE: <u>7/12/94</u>	C.N. NO. <u>69884</u>
DWG. NO. <u>P-14002</u>	PRODUCT NO. <u>Z-1474-75</u>	

*REGULARLY FURNISHED UNLESS OTHERWISE SPECIFIED