



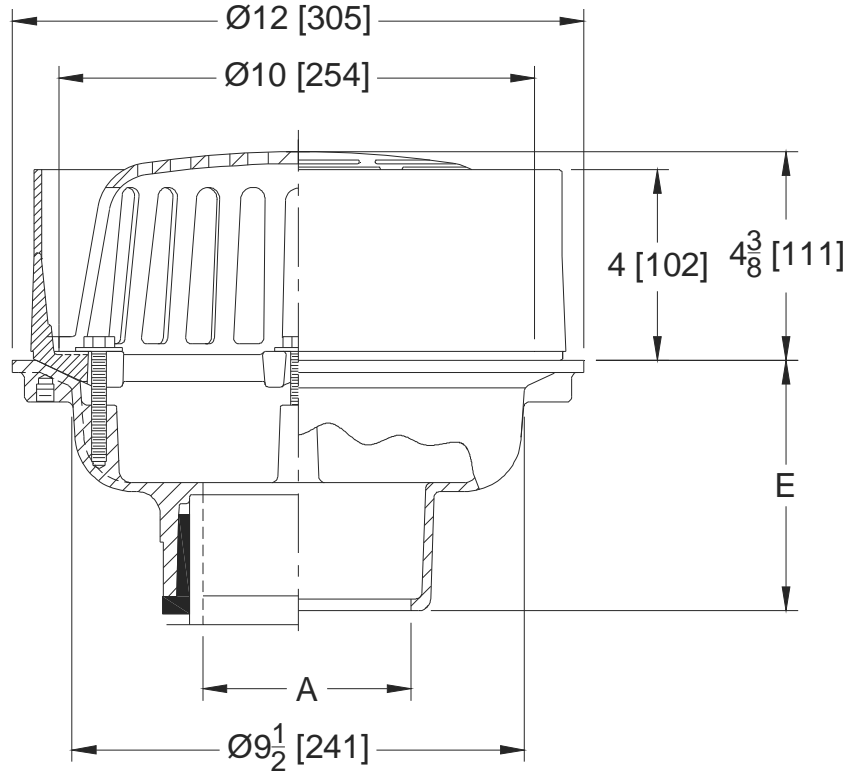
# Z121-134

12 [305] DIAMETER ROOF DRAIN  
WITH 4 [102] EXTERNAL WATER DAM

SPECIFICATION SHEET

TAG \_\_\_\_\_

Dimensional Data (inches and [ mm ]) are Subject to Manufacturing Tolerances and Change Without Notice



A Pipe Size in [mm]	Approx Wt. lbs [kg]	Dome Open Area in <sup>2</sup> [cm <sup>2</sup> ]
2,3,4,6 [51,76,102,152]	23 [10]	78 [503]

**ENGINEERING SPECIFICATION: ZURNZ121-134**

12" [305mm] Diameter roof drain. Dura-Coated cast iron body with 4" [102mm] high combination flashing clamp/water dam and low silhouette Poly-Dome.

**OPTIONS** (Check/specify appropriate options)

**PIPE SIZE**

- 2,3,4,6 [51,76,102,152]
- 2,3,4,6 [51,76,102,152]
- 2,3,4,6 [51,76,102,152]
- 2,3,4 [51,76,102]

(Specify size/type) **OUTLET**

- \_\_\_\_\_ IC Inside Caulk
- \_\_\_\_\_ IP Threaded
- \_\_\_\_\_ NH No-Hub
- \_\_\_\_\_ NL Neo-Loc

**E BODY HT. DIM.**

- 5-1/4 [133]
- 3-3/4 [95]
- 5-1/4 [133]
- 4-9/16 [116]

**PREFIXES**

- \_\_\_\_\_ Z D.C.C.I. Body with Poly-Dome (4-1/4 [108] Dome Height)\*
- \_\_\_\_\_ ZC D.C.C.I. Body with Aluminum Dome (6-9/16 [167] Dome Height)

**SUFFIXES**

- \_\_\_\_\_ -AR Acid Resistant Epoxy Coated
- \_\_\_\_\_ -C Underdeck Clamp
- \_\_\_\_\_ -DP Top-Set® Roof Deck Plate
- \_\_\_\_\_ -EB Top-Set® Adjustable Extension Assembly
- \_\_\_\_\_ -FG Flush Grate
- \_\_\_\_\_ -G Galvanized Cast Iron
- \_\_\_\_\_ -R Roof Sump Receiver
- \_\_\_\_\_ -SC Secondary Clamping Collar
- \_\_\_\_\_ -SS Stainless Mesh Screen Over Dome
- \_\_\_\_\_ -TC Neo-Loc Test Cap Gasket  
(2,3,4 [51,76,102] NL Bottom Outlet Only)
- \_\_\_\_\_ -VP Vandal Proof Secured Top
- \_\_\_\_\_ -XJ Vertical Expansion Joint
- \_\_\_\_\_ -84 Stainless Steel Perforated Gravel Guard
- \_\_\_\_\_ -90 90° Threaded Side Outlet Body

\* Regularly furnished unless otherwise specified.