



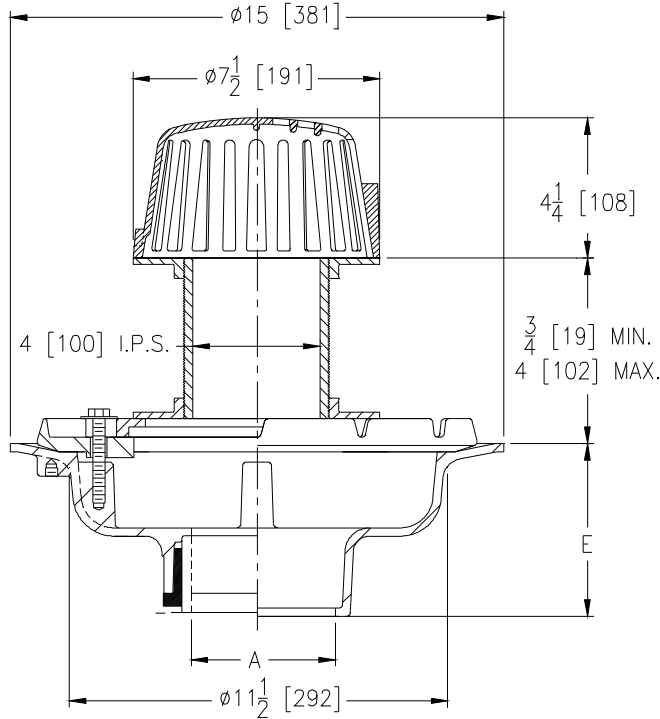
Z100-AW

15[381] DIAMETER MAIN ROOF DRAIN
W/ ADJUSTABLE WATER LEVEL REGULATOR

SPECIFICATION SHEET

TAG _____

Dimensional Data (inches and [mm]) are Subject to Manufacturing Tolerances and Change Without Notice



A Pipe Size in [mm]	Approx Wt. lbs [kg]	Dome Open Area in ² [cm ²]
2,3,4 [51,76,102]	45 [20]	42 [271]
6 [152]	46 [21]	
8 [203]	47 [21]	

ENGINEERING SPECIFICATION: ZURN Z100-AW

15" [381mm] Diameter roof drain. Dura-Coated cast iron body, with combination membrane flashing clamp/gravel guard, adjustable stand pipe and cast iron dome strainer.

OPTIONS (Check/specify appropriate options)

PIPE SIZE

- 3,4,6 [76,102,152]
- 2,3,4,6, 8 [51,76,102,152,203]
- 2,3,4,6, 8 [51,76,102,152,203]
- 2,3,4,6 [51,76,102,152]

(Specify size/type) OUTLET

- _____ IC Inside Caulk
- _____ IP Threaded
- _____ NH No-Hub
- _____ NL Neo-Loc

E BODY HT. DIM.

- 5-1/4 [133]
- 3-3/4 [95]
- 5-1/4 [133]
- 4-5/8 [117]

PREFIXES

- _____ Z D.C.C.I. Body with Cast Iron Dome*

SUFFIXES

- | | | | |
|-----------|--|-----------|--|
| _____ -AC | Angular Underdeck Clamp | _____ -EB | Top-Set® Adjustable Extension Assembly |
| _____ -AR | Acid Resistant Epoxy Coated | _____ -G | Galvanized Cast Iron |
| _____ -C | Underdeck Clamp | _____ -R | Roof Sump Receiver |
| _____ -DE | Deck Extension | _____ -SS | Stainless Mesh Screen Over Dome |
| _____ -DP | Top-Set® Deck Plate
(Replace both the -C and -R) | _____ -TC | Neo-Loc Test Cap Gasket
(2,3,4 [51,76,102] NL Bottom Outlet Only) |
| _____ -DR | Top-Set® Drain Riser | _____ -VP | Vandal Proof Secured Dome |
| _____ -E | Static Extension 1 [25] thru 4 [102] (Specify Ht.) | _____ -90 | 90° Threaded Side Outlet Body
(2,3,4,6 [51,76,102,152]) |
| _____ -EA | Adjustable Extension Assembly
2-1/8[44] thru 3-1/2 [89] | | |

* Regularly furnished unless otherwise specified.