

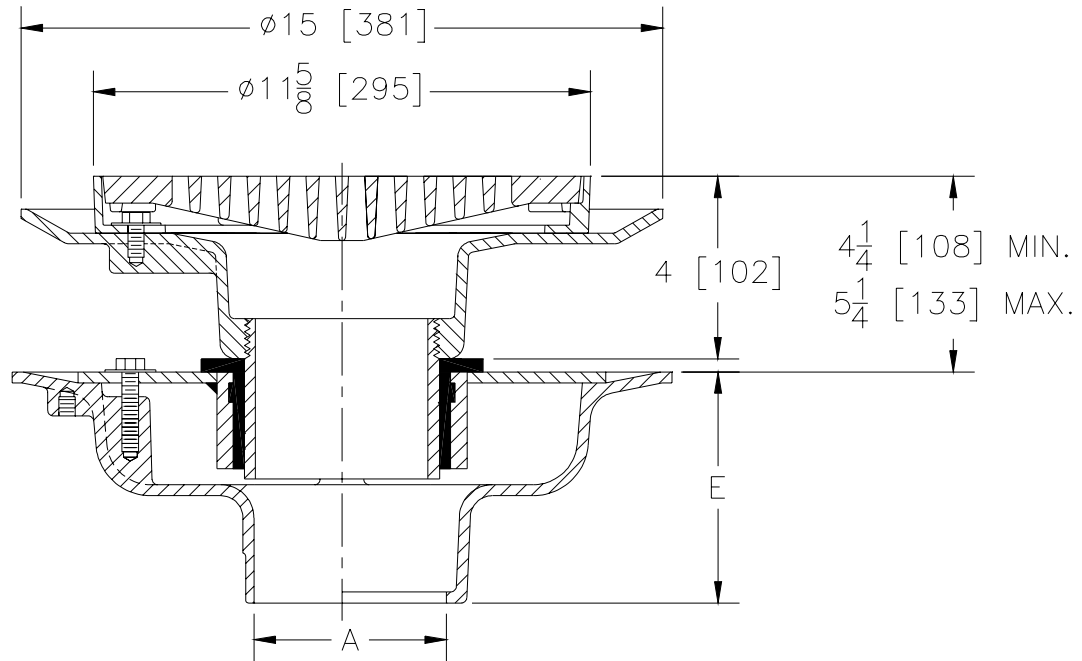


# Z-624-80 ISOLATION DECK DRAIN

SPECIFICATION SHEET

TAG \_\_\_\_\_

Dimensional Data (inches and [ mm ]) are Subject to Manufacturing Tolerances and Change Without Notice



A- Pipe Size In.	Approx. Wt. Lbs. [kg]	Grate Open Area Sq. In. [cm <sup>2</sup> ]
2-3-4 [50-75-100]	42 [19]	18 [116]
5-6 [125-150]		

**ENGINEERING SPECIFICATION:** ZURN Z-624-80 Floating slab drain, Dura-Coated cast iron upper and lower bodies, clamp collar, neoprene flex gasket, isolation nipple and slotted grate.

**OPTIONS** (Check/specify appropriate options)

**PIPE SIZE**

- 2 thru 6 [50 thru 150]
- 2 thru 4, 6 [50 thru 100, 150]
- 2 thru 6 [50 thru 150]
- 2 thru 6 [50 thru 150]
- 2 thru 4 [50 thru 100]

(Specify size/type) **OUTLET**

- \_\_\_ IC Inside Caulk
- \_\_\_ IG Inside Caulk w/Sealtrol Gskt.
- \_\_\_ IP Threaded
- \_\_\_ NH No-Hub
- \_\_\_ NL Neo-Loc

**'E' BODY HT. DIM.**

- 5 1/4 [133]
- 5 1/4 [133]
- 3 3/4 [95]
- 5 1/4 [133]
- 4 5/8 [117]

**PREFIXES**

- \_\_\_ Z- D.C.C.I. Body and Grate\*
- \_\_\_ ZB- D.C.C.I Body w/Polished Bronze Top (Add 3/16 [5] to 4 [102] Dim.)
- \_\_\_ ZN- D.C.C.I Body w/Polished Nickel Bronze Top (Add 3/16 [5] to 4 [102] Dim.)

**SUFFIXES**

- \_\_\_ -C Underdeck Clamp
- \_\_\_ -DG Duresist Grate
- \_\_\_ -G Galvanized Cast Iron
- \_\_\_ -HP Heelproof Grate
- \_\_\_ -PH Grate with 3/8 [10] Dia. Openings (Z only)
- \_\_\_ -R Sump Receiver
- \_\_\_ -SD Longer Standpipe (Specify Height Required)
- \_\_\_ -TS Top Secured with Slotted Screws
- \_\_\_ -VP Vandal Proof Secured Top

REV.	DATE: 2/11/00	C.N. NO. 84334
DWG. NO. P-14770 PRODUCT NO. Z-624-80		

\*REGULARLY FURNISHED UNLESS OTHERWISE SPECIFIED