



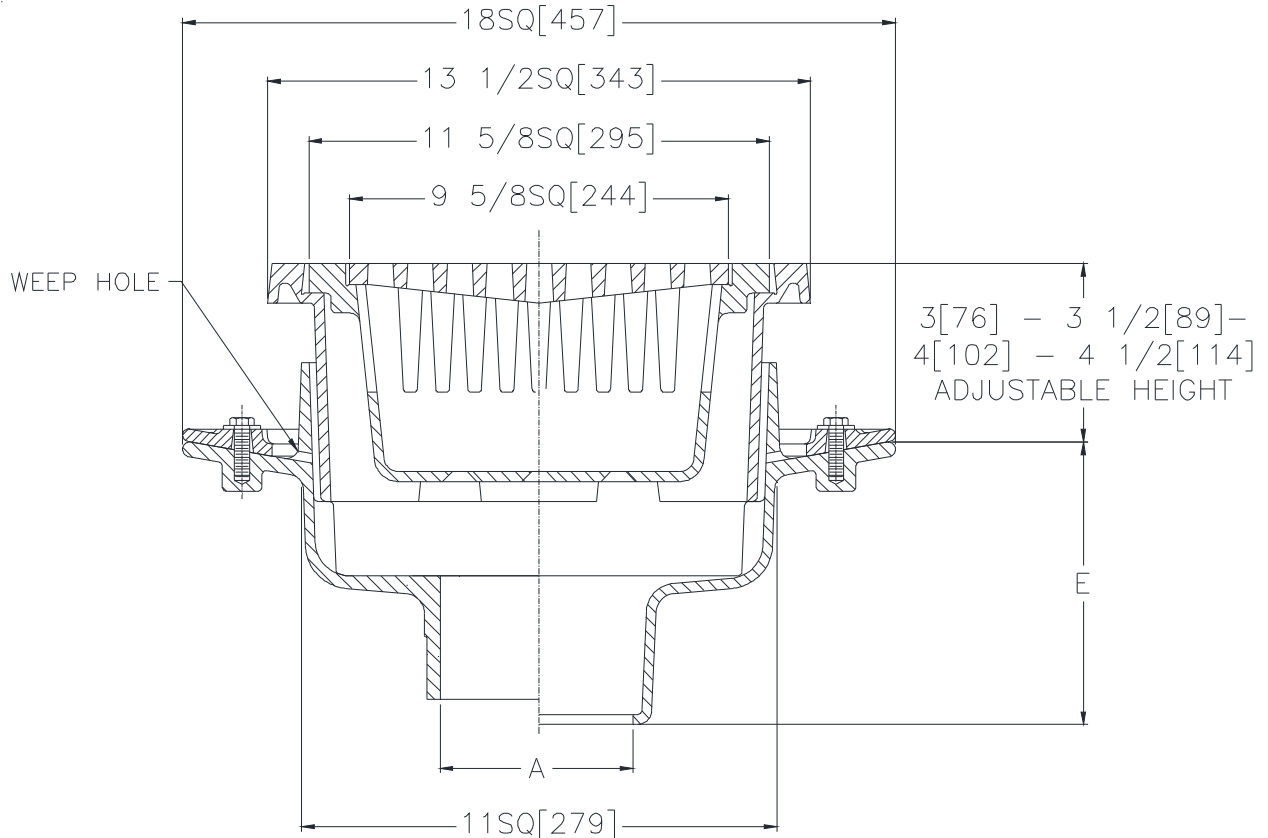
Z675-C

13-1/2 [343] EXTRA-HEAVY-DUTY DRAIN W/
CLAMPING COLLAR

SPECIFICATION SHEET

TAG _____

Dimensional Data (inches and [mm]) are Subject to Manufacturing Tolerances and Change Without Notice



A- Pipe Size In. [mm]	Approx. Wt. Lbs. [kg]	Grate Open Area Sq. In. [cm ²]
3, 4, 6 [76, 102, 152]	110 [50]	72 [465]

ENGINEERING SPECIFICATION: ZURN Z-675-C

13-1/2" [343mm] Square top drain, Dura-Coated cast iron body with bottom outlet, seepage pan, clamp collar and vertically adjustable four position frame for Duresist extra heavy duty loose slotted grate with suspended sediment bucket.

OPTIONS (Check/specify appropriate options)

PIPE SIZE

- 4 [102]
- 4 [102]
- 3, 4, 6 [76, 102, 152]
- 3, 4, 6 [76, 102, 152]
- 3, 4 [76, 102]

(Specify size/type) OUTLET

- ___ IC Inside Caulk
- ___ IG Inside Caulk w/Sealtrol Gskt.
- ___ IP Threaded
- ___ NH No-Hub
- ___ NL No-Loc

'E' BODY HT. DIM.

- 7-1/8 [181]
- 7 1/8 [181]
- 7 1/8 [181]
- 9-5/8 [244]
- 7 5/8 [194]

PREFIXES

- ___ Z D.C.C.I. Body and Grate*

SUFFIXES

- ___ -AR Acid Resistant Epoxy Coated Finish
- ___ -G Galvanized Cast Iron
- ___ -TS Top Secured With Slotted Screws
- ___ -VP Vandal Proof Secured Top

* Regularly furnished unless otherwise specified.