



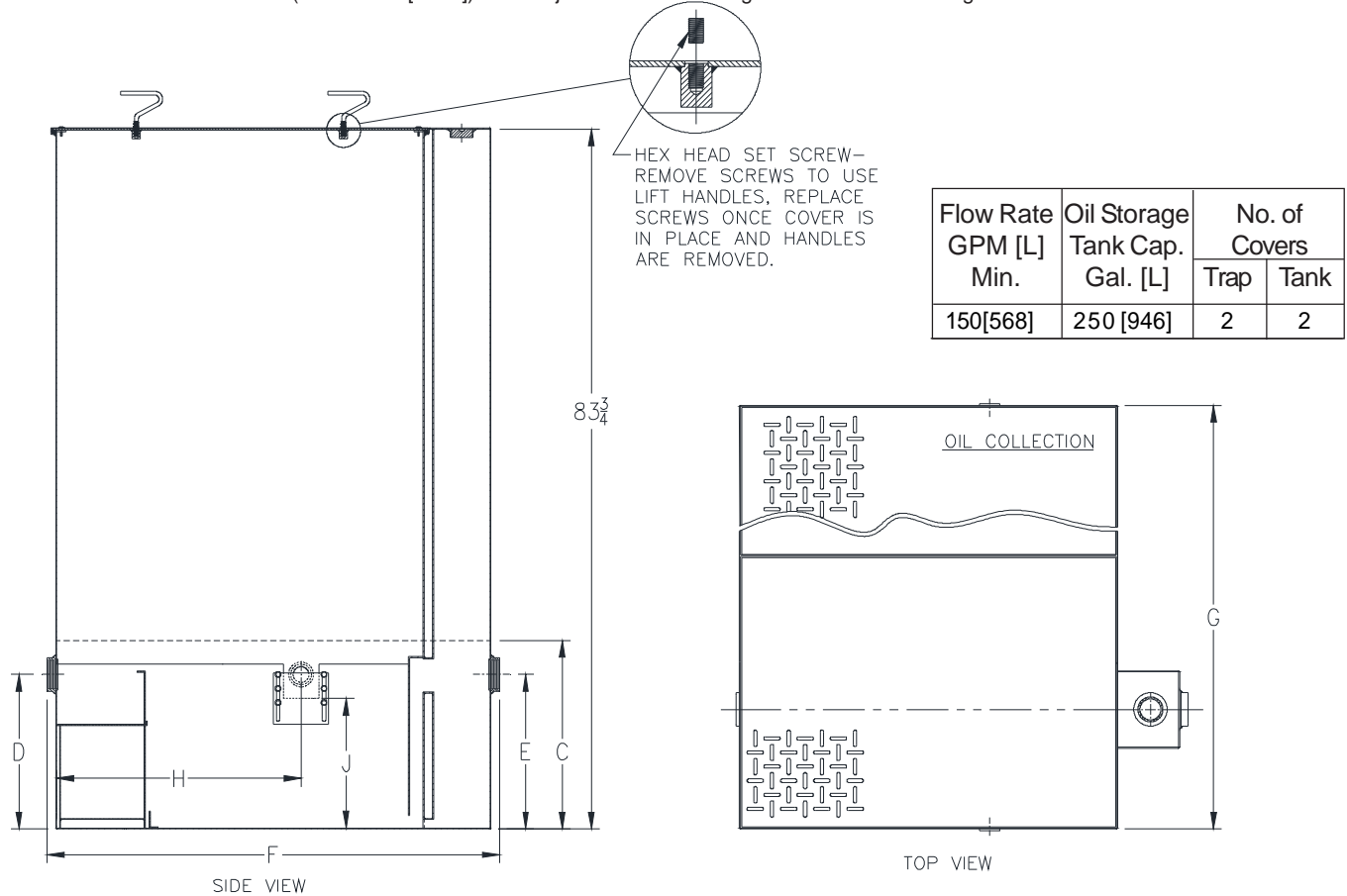
Z1188-ST-96

LARGE CAPACITY OIL INTERCEPTOR W/ INTEGRAL STORAGE TANK & EXTENSION

SPECIFICATION SHEET

TAG _____

Dimensional Data (inches and [mm]) are Subject to Manufacturing Tolerances and Change Without Notice



Flow Rate GPM [L] Min.	Inlet/ Outlet Size	Water Capacity Gal. [L]	Approx. Wt. Lbs. [kg]	Dimensions in Inches					
				C	D/E	F	G	H	J
150 [568]	4 [102]	235 [890]	2683 [1217]	30-3/4 [781]	25-1/4 [641]	68-1/4 [1734]	82-3/4 [2102]	38-11/16 [983]	21-5/8 [549]

ENGINEERING SPECIFICATION: ZURN Z1188-ST-96

Acid Resistant Coated interior and exterior fabricated steel oil interceptor, with bronze cleanout plug and visible double wall trap seal, removable combination pressure equalizing/flow diffusing baffle and sediment bucket, adjustable oil draw-off, vent connections, secured gasketed non-skid cover, complete with flow control fitting and left hand integral storage tank. Regularly furnished with inlet and outlet in high position. Note: location of outlet from bottom of interceptor cannot be changed.

OPTIONS (Check/specify appropriate options)

PREFIXES

___ Z Acid Resistant Coated Fabricated Steel*

SUFFIXES

- ___ -HD Heavy-duty traffic cover rated at 10,000 lbs. maximum safe live load. An increased 'C' dim. is required when -HD option is specified. (See -HD option specification sheet)
- ___ -K Anchor flange 1 3/4 [44] down from top and 2 [51] wide. A 3 [76] minimum extension height is required when anchor flange (-K) option is specified. (Specify 'C' Dim. height required.)
- ___ -KC Anchor flange 1 3/4 [44] down from top and 2 [51] wide with clamp collar. A 3 [76] minimum extension height is required when anchor flange (-KC) option is specified. (Specify 'C' Dim. height required.)
- ___ -STR Storage tank on right hand side when facing the inlet.

*Zurn does not recommend having an extension over 36" due to difficulty in providing maintenance to the interceptor

* Regularly furnished unless otherwise specified.

Zurn Industries, LLC | Specification Drainage Operation
1801 Pittsburgh Avenue, Erie, PA U.S.A. 16502 · Ph. 855-663-9876, Fax 814-454-7929
In Canada | Zurn Industries Limited
3544 Nashua Drive, Mississauga, Ontario L4V 1L2 · Ph. 905-405-8272, Fax 905-405-1292
www.zurn.com

Rev. -
Date: 11/24/15
C.N. No. 133539
Prod. | Dwg. No. Z1188-ST-96