



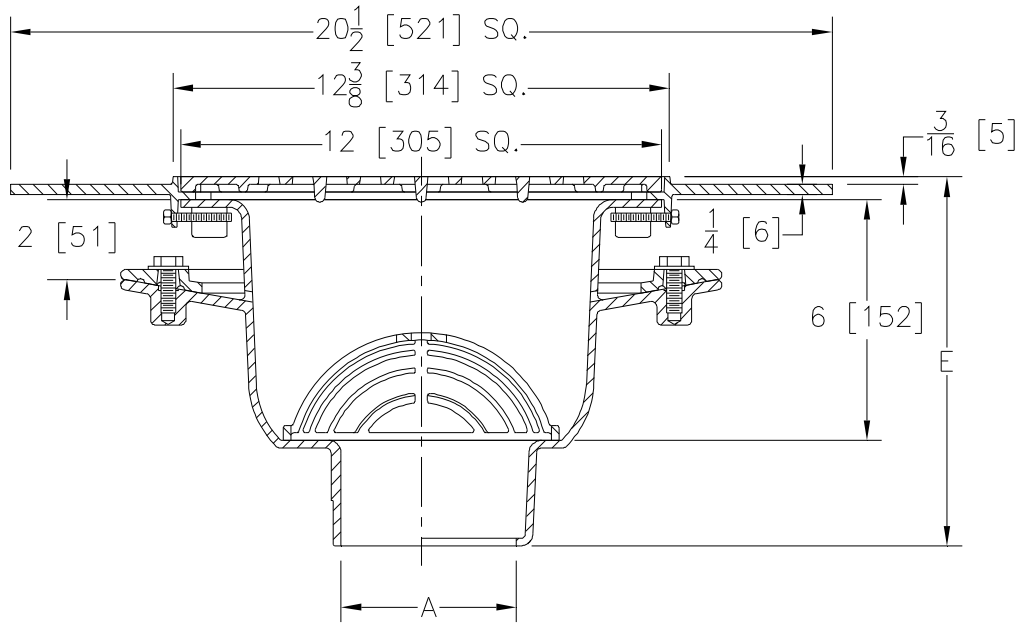
ZN1900-DX-KC

12-3/8 x 12-3/8 [314 x 314] A.R.E. SANI-FLOR RECEPTOR
6 [152] SUMP DEPTH, & ANCHOR FLANGE W/ CLAMP
COLLAR, AND N.B. DEX-O-TEX FRAME & GRATE

SPECIFICATION SHEET

TAG _____

Dimensional Data (inches and [mm]) are Subject to Manufacturing Tolerances and Change Without Notice



A Pipe Size In [mm]	Approx Wt. Lbs. [kg]	Grate Open Area Sq. In. [cm ²]
2,3,4 [51,76,102]	32 [15]	25 [161]

ENGINEERING SPECIFICATION: ZURN ZN1900-DX-KC

Sani-Flor Receptor 12-3/8" x 12-3/8" x 6" [314mm x 314mm x 152mm] deep cast iron body with anchor flange with seepage holes and clamp collar, white acid resisting porcelain enamel interior, black ground enamel exterior coating, nickel bronze frame with 4" [102mm] wide Dex-O-Tex flange complete with white ABS anti-splash interior bottom dome strainer.

OPTIONS (Check/specify appropriate options)

PIPE SIZE

3,4 [76,102]
2,3,4 [51,76,102]
2,3,4 [51,76,102]

(Specify size/type) OUTLET

_____ IC Inside Caulk
_____ NH No-Hub
_____ NL Neo-Loc

'E' DIMENSION

9-1/8 [232]
9-1/8 [232]
8-1/2 [216]

PREFIXES

_____ ZN Cast Iron Body with White A.R.E. Interior, 12-3/8 [314] Square N.B. Frame and Full Grate with 1/2 [13] Square Openings.*

SUFFIXES

_____ -HP Heel-Proof Grate	_____ -11 Vandal-Proof Secured Top
_____ -LD Less Bottom Dome Strainer	_____ -15 Solid Loose Set Cover (Z & ZN Only)
_____ -P 1/2 [13] Trap Primer Connection (See Z1023)	_____ -23 Aluminum Bucket
_____ -SA Stabilizer Assembly (See Z1903)	_____ -25 White A.R.C. Bucket
_____ -TC Neo-Loc Test Cap Gasket (2,3,4 [51,76,102] NL Bottom Outlet Only)	_____ -31 Stainless Steel Mesh Liner for Bucket
_____ -VPS Vandal-Proof Strainer	_____ -32 Aluminum Dome Strainer
_____ -1 (Less) Grate	_____ -33 White A.R.C. Anti-Splash Bottom Dome Strainer
_____ -2 1/2 Grate	
_____ -3 3/4 Grate	
_____ -4 Full-Grate W/ Center Opening 3-1/32 [77] Square	
_____ -6 Grate w/ 6 [152] Dia. x 6 [152] High Funnel	
_____ -8 Grate w/ 8-7/8 x 3-5/8 x 3-3/4 [225 x 92 x 95] High Oval Funnel	

* Regularly furnished unless otherwise specified.

Zurn Industries, LLC | Specification Drainage Operation
1801 Pittsburgh Avenue, Erie, PA U.S.A. 16502 · Ph. 855-663-9876, Fax 814-454-7929
In Canada | Zurn Industries Limited
3544 Nashua Drive, Mississauga, Ontario L4V 1L2 · Ph. 905-405-8272, Fax 905-405-1292
www.zurn.com

Rev. E
Date: 10/12/17
C.N. No. 138700
Prod. | Dwg. No. ZN1900-DX-KC