

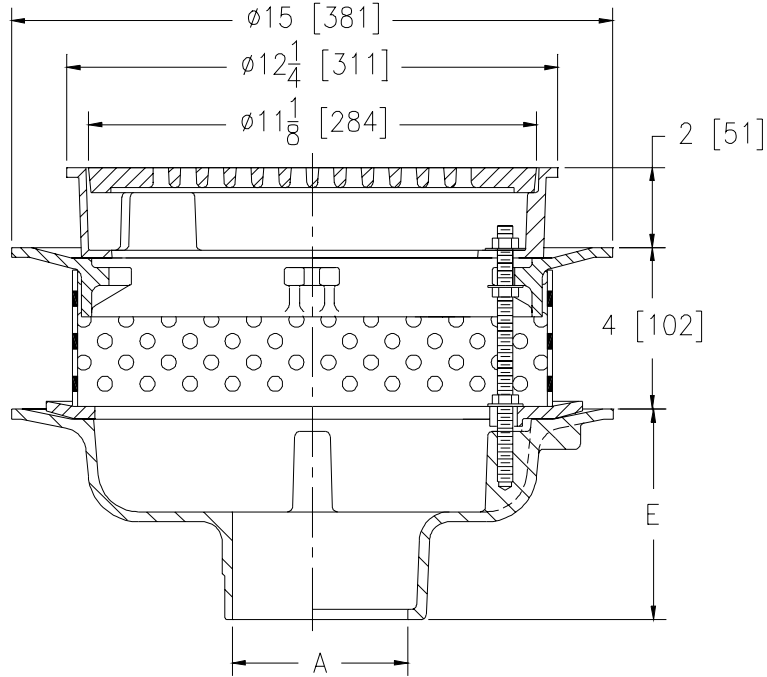


# Z-504-77

## 12 [305] DIAMETER MEDIUM DUTY DRAIN

TAG \_\_\_\_\_

Dimensional Data (inches and [ mm ]) are Subject to Manufacturing Tolerances and Change Without Notice



A- Pipe Size In.	Approx. Wt. Lbs. [kg]	Grate Open Area Sq. In. [cm <sup>2</sup> ]
3-4-6 [75-100-150]	50 [23]	30 [194]

**ENGINEERING SPECIFICATION:** ZURN Z-504-77 12 [305] Diameter top drain, Dura-Coated cast iron body with bottom outlet, perforated extension, flat clamping collar, secondary seepage pan and combination membrane flashing clamp and frame for medium duty slotted grate.

**OPTIONS** (Check/specify appropriate options)

**PIPE SIZE**

- 2 thru 6, 8 [50 thru 150,200]
- 2 thru 6, 8 [50 thru 150,200]
- 2 thru 6, 8 [50 thru 150,200]
- 2,3,4 [50,75,100]

(Specify size/type) **OUTLET**

- \_\_\_\_\_ IC Inside Caulk
- \_\_\_\_\_ IP Threaded
- \_\_\_\_\_ NH No-Hub
- \_\_\_\_\_ NL Neo-Loc

**E BODY HT. DIM.**

- 5 1/4 [133]
- 3 3/4 [95]
- 5 1/4 [133]
- 4 5/8 [117]

**PREFIXES**

- \_\_\_\_\_ Z- D.C.C.I. Body and Grate\*
- \_\_\_\_\_ ZB- D.C.C.I. Body with Polished Bronze Grate (Add 3/16 [5] to 2 [51] Dim.)
- \_\_\_\_\_ ZN- D.C.C.I. Body with Polished Nickel Bronze Grate (Add 3/16 [5] to 2 [51] Dim.)

**SUFFIXES**

- \_\_\_\_\_ -AR Acid Resisting Epoxy Coated Cast Iron
- \_\_\_\_\_ -DG Duresist Grate
- \_\_\_\_\_ -F Extension Frame
- \_\_\_\_\_ -G Galvanized Cast Iron
- \_\_\_\_\_ -HT Square Hinged Grate
- \_\_\_\_\_ -SC Solid Cover
- \_\_\_\_\_ -T Square Top
- \_\_\_\_\_ -TS Top Secured With Slotted Screws
- \_\_\_\_\_ -VP Vandal Proof Secured Top

<b>REV.</b>	<b>DATE: 8/10/99</b>	<b>C.N. NO. 83068</b>
<b>DWG. NO. P-14740 PRODUCT NO. Z-504-77</b>		

\*REGULARLY FURNISHED UNLESS OTHERWISE SPECIFIED