



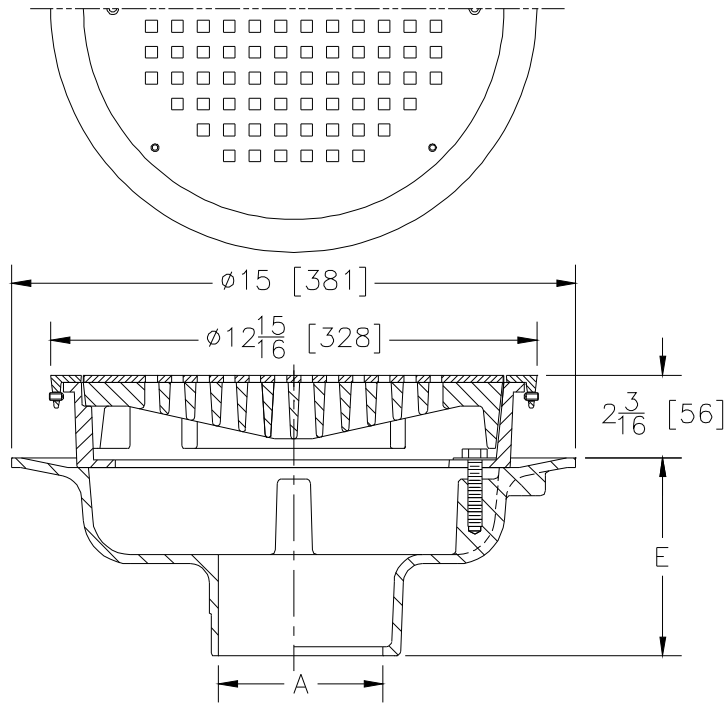
Z505-97

12 [305] HEAVY-DUTY DRAIN W/ 5/16 [8] SQUARE OPENINGS IN VENEER GRATE

SPECIFICATION SHEET

TAG _____

Dimensional Data (inches and [mm]) are Subject to Manufacturing Tolerances and Change Without Notice



A-Pipe Size In. [mm]	Approx. Wt. Lbs. [kg]	Grate Open Area Sq. In. [cm ²]
2,3,4,5,6 [51,76,102,127,152]	38 [17]	12 [76]
8,10 [203,254]	40 [18]	

ENGINEERING SPECIFICATION: ZURN Z505-97

12-15/16" [329mm] Diameter top drain. Dura-Coated cast iron body with bottom outlet, seepage pan and combination membrane flashing clamp and frame for heavy duty deep flange slotted grate, with type 304 stainless steel veneer grate featuring 5/16" [8mm] square openings.

OPTIONS (Check/specify appropriate options)

PIPE SIZE	(Specify size/type)	OUTLET	'E' BODY HT. DIM.
2,3,4,5,6,8,10 [51,76,102,127,152,203,254]	_____	IC Inside Caulk	5-1/4 [133]
2,3,4,6 [51,76,102,152]	_____	IG Inside Gasket	5-1/4 [133]
2,3,4,5,6,8,10 [51,76,102,127,152,203,254]	_____	IP Threaded	3-3/4 [95]
2,3,4,5,6,8,10 [51,76,102,127,152,203,254]	_____	NH No-Hub	5-1/4 [133]
2,3,4 [51,76,102]	_____	NL Neo-Loc	4-5/8 [117]

PREFIXES

- _____ ZB D.C.C.I. Body with Polished Brass Top
- _____ ZS D.C.C.I. Body with Polished Stainless Steel Top*

SUFFIXES

- | | |
|---|---|
| _____ -AR Acid Resisting Epoxy Coated Cast Iron | _____ -SS Stainless Mesh Liner for Bucket |
| _____ -F Extension Frame
(Specify Total Height Req'd.) | _____ -TC Neo-Loc Test Cap Gasket
(2,3,4 [51,76,102] NL Bottom Outlet Only) |
| _____ -G Galvanized Cast Iron | _____ -TS Top Secured with Slotted Screws |
| _____ -P Trap Primer Connection | _____ -V Backwater Valve (See Z1099) |
| _____ -S Secondary Strainer | _____ -VP Vandal-Proof Secured Top |
| _____ -SA Stabilizer Assembly (See Z1036) | _____ -Y Sediment Bucket |
| | _____ -90 90° Threaded Side Outlet Body
(2,3,4,5,6 [51,76,102,127,152] Only) |

* Regularly furnished unless otherwise specified.