

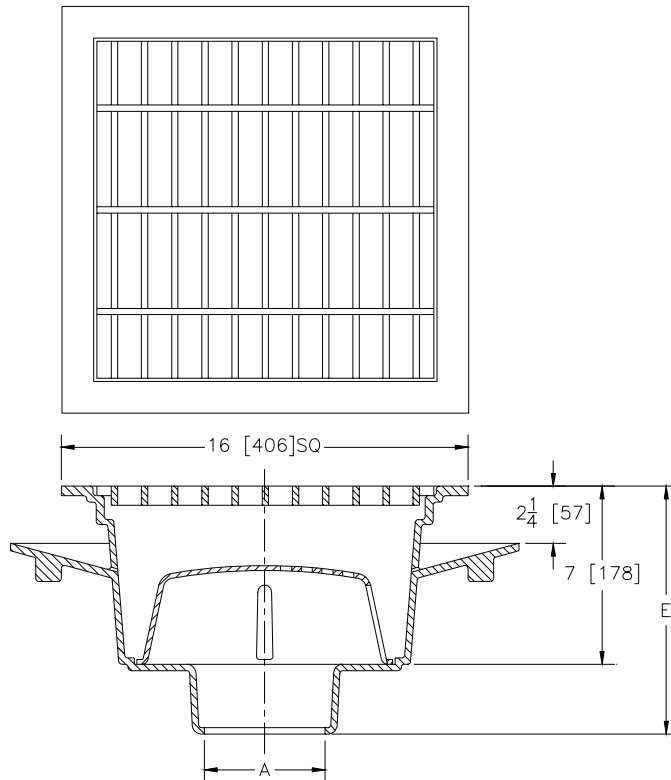


Z-1920-77
16" X 16" A.R.E. SANI-FLOR
RECEPTOR 7" SUMP DEPTH

SPECIFICATION SHEET

TAG _____

Dimensional Data (inches and [mm]) are Subject to Manufacturing Tolerances and Change Without Notice



A- Pipe Size In.[cm]	Approx. Wt. Lbs [kg]	Grate Open Area Sq. In. [cm ²]
2-3-4-6-8[52-76-102-152-203]	81[37]	105[677]

ENGINEERING SPECIFICATION: ZURN Z-1920-77 Sani-Flor Receptor 16" x 16" x 7" [406 x 406 x 178] deep cast iron body and stainless steel bar grate, with white acid resisting coated interior and top, complete with aluminum anti-splash interior bottom dome strainer.

OPTIONS (Check/specify appropriate options)

OUTLET (Specify type)

- ___ **IC** Inside Caulk
- ___ **IC** Inside Caulk

PIPE SIZE (Specify size)

- ___ 2", 3", 4", 6" [52, 76, 102, 152]
- ___ 8" [203]

'E' BODY HT.

- | | |
|--------------|------------------|
| Z | DIMENSION |
| 9-3/4"[248] | ZN |
| 10-1/4"[260] | 10"[254] |
| | 10-1/2"[267] |

PREFIXES

- ___ **Z-** Cast Iron Body with White A.R.E. Interior*
- ___ **ZN-** Cast Iron Body with White A.R.E. Interior, 16-1/2"[419] Square N.B. Frame and Full Grate

SUFFIXES

- ___ **-KC** Seepage Flange w/Seepage Holes W/Clamp Collar
- ___ **-LD** (Less) Bottom Dome Strainer
- ___ **-P** 1/2"[12] Trap Primer Connection
- ___ **-1** (Less) Grate
- ___ **-2** 1/2 Grate
- ___ **-3** 3/4 Grate
- ___ **-11** Vandal Proof Secured Grate
- ___ **-23** Aluminum Bucket
- ___ **-25** White A.R.E. Bucket
- ___ **-31** Stl. Steel Mesh Liner for Bucket
- ___ **-33** White A.R.E. Anti-Splash Bottom Dome Strainer

REV.	DATE: 12/13/94	C.N. NO. 70501
DWG. NO. P-14113 PRODUCT NO. Z-1920-77		

*REGULARLY FURNISHED UNLESS OTHERWISE SPECIFIED