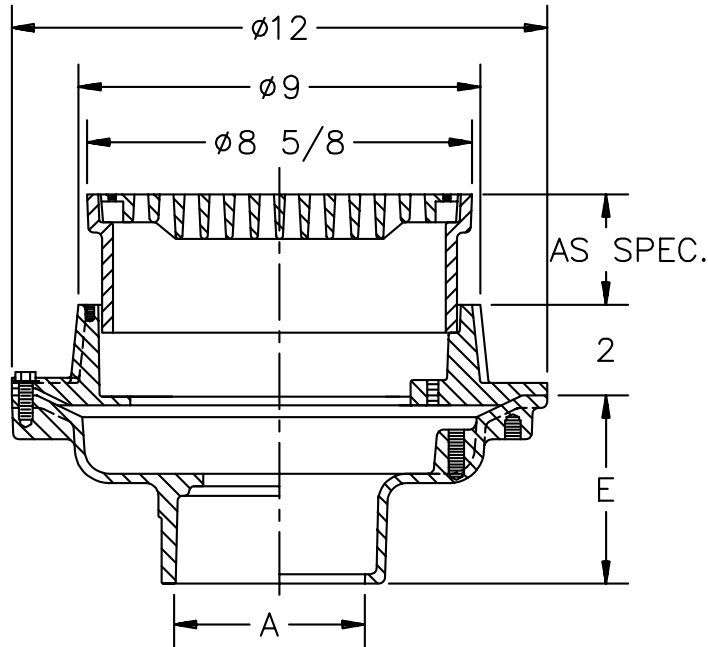




Z-550-83
9" DIAMETER MEDIUM
DUTY DRAIN

TAG _____

Dimensional Data (inches and [mm]) are Subject to Manufacturing Tolerances and Change Without Notice



A- Pipe Size In.	Approx. Wt. Lbs.	Grate Open Area Sq. In.
2-3-4	16	14

ENGINEERING SPECIFICATION: ZURN Z-550-83 9" Diameter top drain, Dura-Coated cast iron body with bottom outlet, seepage pan, extension, medium duty cast iron anti-tilt slotted grate and combination membrane flashing clamp and frame.

OPTIONS (Check/specify appropriate options)

OUTLET (Specify type)

- _____ **IC** Inside Caulk
- _____ **IG** Inside Caulk w/Sealtrol Gskt.
- _____ **IP** Threaded
- _____ **NH** No-Hub
- _____ **NL** Neo-Loc

PIPE SIZE (Specify size)

- _____ 2",3",4"
- _____ 2",3",4"
- _____ 2",3",4"
- _____ 2",3",4"
- _____ 2",3",4"

**'E' BODY HT.
DIMENSION**

- 3-3/4"
- 3-3/4"
- 2-3/4"
- 4-3/4"
- 3-1/2"

PREFIXES

- _____ **Z-** D.C.C.I. Body and Grate*
- _____ **ZB-** D.C.C.I. Body with Polished Bronze Grate (Add 3/16" to 2" Dim.)
- _____ **ZN-** D.C.C.I. Body with Polished Nickel Bronze Grate (Add 3/16" to 2' Dim.)

SUFFIXES

- _____ **-AR** Acid Resisting Epoxy Coated Interior
- _____ **-G** Galvanized Cast Iron
- _____ **-P** Trap Primer Connection
- _____ **-S** Secondary Strainer
- _____ **-SS** Stainless Mesh Liner for Bucket
- _____ **-V** Backwater Valve (See Z-1099)
- _____ **-VP** Vandal Proof Secured Top
- _____ **-Y** Sediment Bucket
- _____ **-90** 90° Threaded Side Outlet Body (2" thru 4")

*REGULARLY FURNISHED UNLESS OTHERWISE SPECIFIED

REV.	DATE: 9/11/92	C.N. NO. 68545
DWG. NO. P-13739 PRODUCT NO. Z-550-83		