



# Z1241-EZR

Exposed Arm Hybrid Carrier System for Sundara® Float Solid Surface Lavatory w/ Adjustable Uprights & Header Plates

TAG \_\_\_\_\_

### Product Description

Designed for modern commercial restrooms, the Sundara® system delivers a superior user experience in both form and function. Improves upon Zurns proven labor savings carrier design while adapting to the Sundara® Solid Surface Lavatory.

### Carrier Features

- Engineered to reduce installation and rework time
- Pairs with Sundara® engineered solid surface sink
- 300 lbs [136 kg] load capacity
- Hybrid Exposed Arm / Hanger Plate Carrier System
- OSHPOD Compliant foot design
- Rulers mounted to uprights for easily determining spacings
- Carrier Arms supplied with lavatory

### Standards Compliance

- ASME A112.6.1M

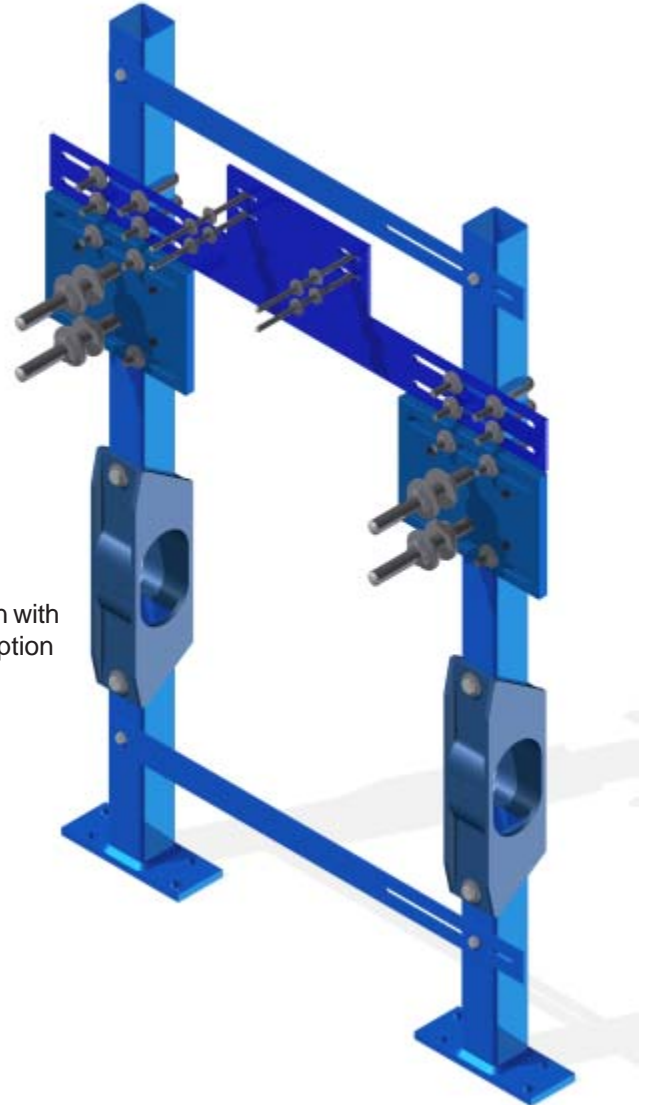
### Materials

- ASTM A500 Grade C Steel Uprights
- ASTM A48 Class 25 Header
- Steel Hardware
- ASTM A36 Steel Plates

### Options

- CU Floor-to-Ceiling Upright (Specify Height Required)
- SL Stud Length over 6 [152]
- WL Waste Line Sleeve
- WS Wall Support Valve Plate (Specify Valve Name and Number Tag)

Shown with -WL option



Dimensional Data (inches and [ mm ]) are Subject to Manufacturing Tolerances and Change Without Notice

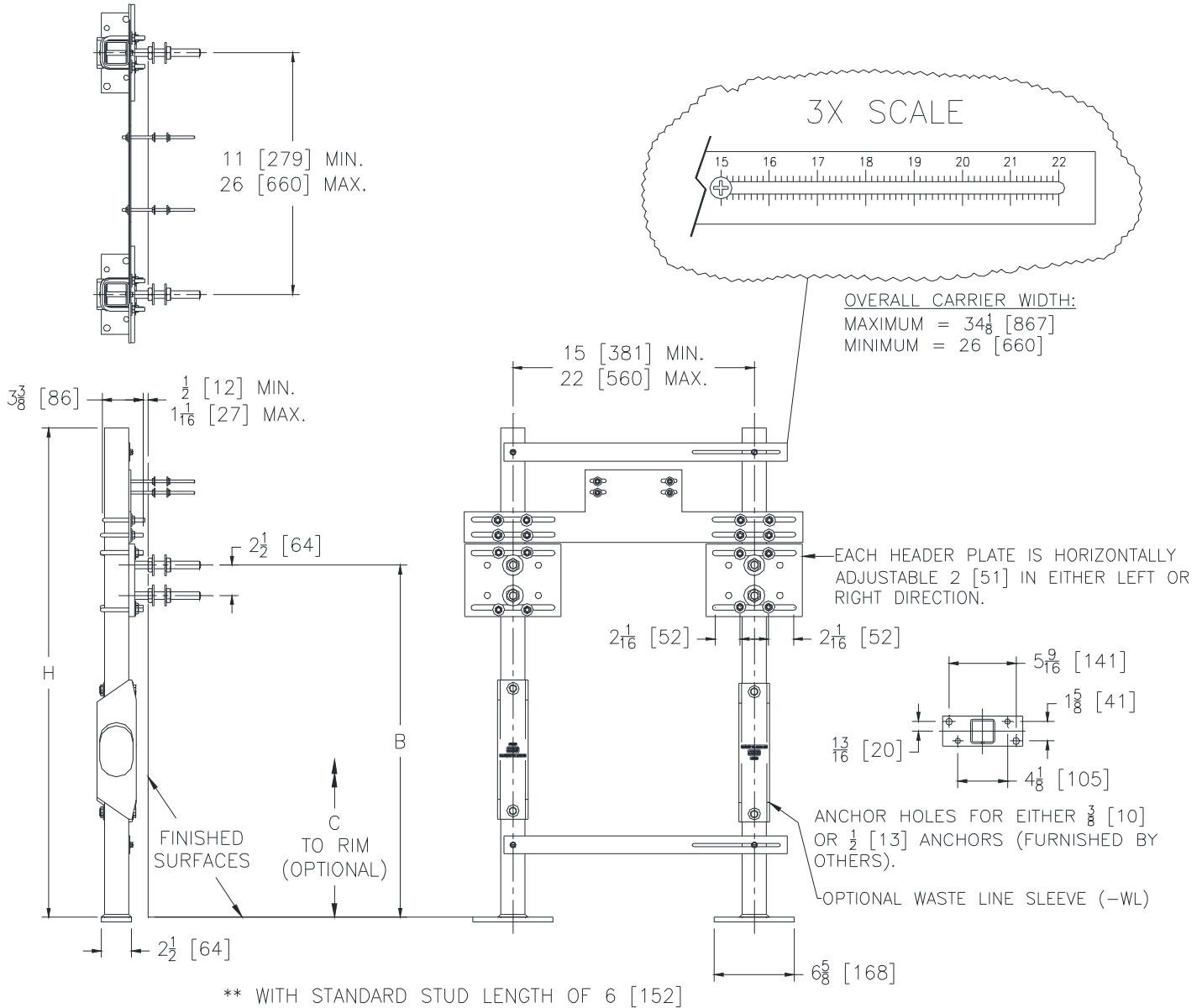
\* Regularly furnished unless otherwise specified.



# Z1241-EZR

Exposed Arm Hybrid Carrier System for Sundara® Float Solid Surface Lavatory w/ Adjustable Uprights & Header Plates

TAG \_\_\_\_\_



## Engineering Specification: ZURN Z1241-EZR

Wall Hung Lavatory Support System complete with Dura-Coated upright supports made from structural carbon-steel square tubing, conforming to ASTM A500 Grade C standards, with welded steel plate mounting feet featuring separate bolt patterns for using either 3/8" [10mm] or 1/2" [13mm] anchors, both meeting OSHPD spacing requirements. Includes lower and upper EZ-installation plated, marked with an indexed ruler guide for accurate adjustability of upright spacing, from 15" [381mm] to 22" [560mm]. Individual slotted header plates provide 2" [51mm] of additional horizontal adjustment per plate allowing for a total horizontal adjustment range of 11" [279mm] to 26" [660mm]. Uprights, EZ-installation plates, and header plates are all factory assembled for easy installation. Carrier system exceeds load and deflection requirements when tested in accordance to ASME Standard A112.6.1M at any adjustment position.

Dimensional Data (inches and [ mm ]) are Subject to Manufacturing Tolerances and Change Without Notice

\* Regularly furnished unless otherwise specified.