



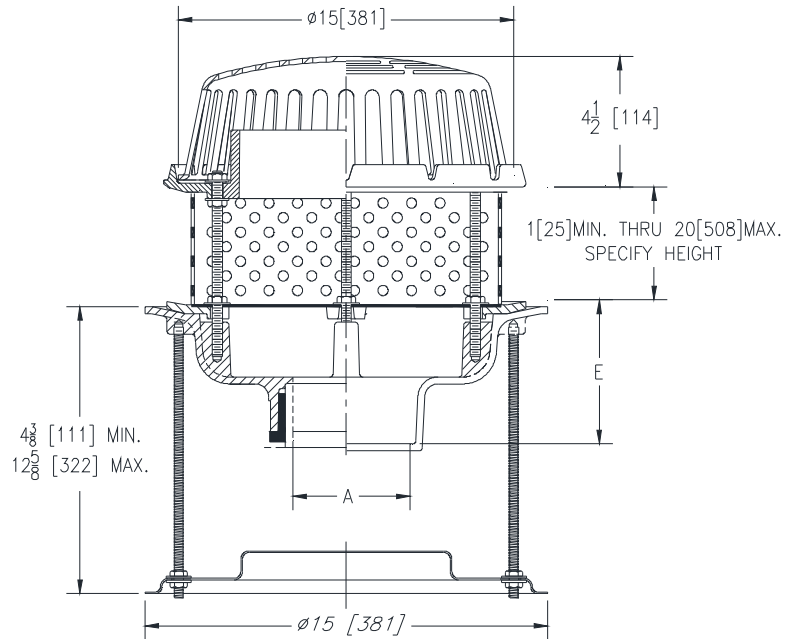
Z100-312

15 [381] DIAMETER MAIN ROOF DRAIN WITH INTERNAL WATER DAM, STAINLESS STEEL PERFORATED EXTENSION, & STABILIZER ASSEMBLY

SPECIFICATION SHEET

TAG _____

Dimensional Data (inches and [mm]) are Subject to Manufacturing Tolerances and Change Without Notice



A Pipe Size In. [mm]	Approx. Wt. Lbs. [kg]	Dome Open Area Sq. In. [cm ²]
2,3,4 [51,76,102]	26 [12]	103 [665]
5,6 [127,152]	27 [12]	
8 [203]	28 [13]	

ENGINEERING SPECIFICATION: ZURN Z100-312

15 "[381mm] Diameter roof drain. Duracoated cast iron body with combination membrane flashing clamp/gravel guard with internal water dam, Stainless Steel perforated extension, gasket and low silhouette Poly-Dome. Complete with stabilizer assembly.

OPTIONS (Check/specify appropriate options)

PIPE SIZE

2, 3, 4, 6, 8 [51, 76, 102, 152, 203]
 2, 3, 4, 6, 8 [51, 76, 102, 152, 203]
 2, 3, 4, 6, 8 [51, 76, 102, 152, 203]
 2,3,4 [51,76,102]
 6 [152]

(Specify size/type) OUTLET

_____ IC Inside Caulk
 _____ IP Threaded
 _____ NH No-Hub
 _____ NL Neo-Loc
 _____ NL Neo-Loc

E BODY HT. DIM.

5-1/4 [133]
 3-3/4 [95]
 5-1/4 [133]
 4-9/16 [116]
 5-7/16 [112]

PREFIXES

_____ Z D.C.C.I. Body with Poly-Dome*
 _____ ZA D.C.C.I. Body with 6-3/4 [171] High Aluminum Dome
 _____ ZC D.C.C.I. Body with Cast Iron Dome
 _____ ZRB D.C.C.I. Body with Plain Bronze Dome

SUFFIXES

_____ -AR Acid Resistant Epoxy Coated
 _____ -BS Bronze Mesh Screen Over Dome
 _____ -DX Dex-o-tex Flange
 _____ -E Static Extension 1 [25] thru 4 [102] (Specify Ht.)
 _____ -EA Adjustable Extension Assembly
 2-1/8 [54] thru 3 1/2 [89]
 _____ -G Galvanized Cast Iron
 _____ -GD Galvanized Cast Iron Dome (ZC Only)

_____ -HD 6-3/4 [171] High Aluminum Dome Strainer
 (148 Sq. In. [955 cm²] Open Area)
 _____ -SS Stainless Steel Mesh Screen Over Dome
 _____ -TC Neo-Loc Test Cap Gasket
 (2, 3, 4 [51, 76, 102] NL Bottom Outlet
 Only)
 _____ -VP Vandal-Proof Secured Top
 _____ -84 Stainless Steel Perforated Gravel Guard
 _____ -90 90° Threaded Side Outlet Body
 (2, 3, 4, 6 [51, 76, 102, 152])

* Regularly furnished unless otherwise specified.