



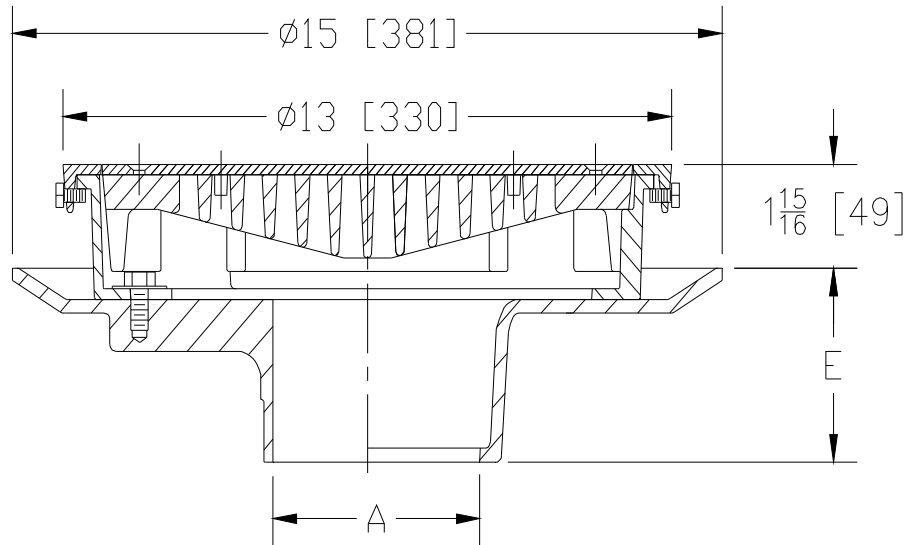
Z509-87

SPECIFICATION SHEET

13 [330] HEAVY DUTY DRAIN WITH STAINLESS STEEL VENEER

TAG _____

Dimensional Data (inches and [mm]) are Subject to Manufacturing Tolerances and Change Without Notice



A Pipe Size In.	Approx. Wt. Lbs. [kg]	Grate Open Area Sq. In. [cm ²]
3-4-6 [76-102-152]	42 [19]	30 [194]

ENGINEERING SPECIFICATION: ZURN Z509-87

13 [330] Diameter top drain with Stainless Steel Veneer. Dura-Coated cast iron body with bottom outlet, seepage pan and combination membrane flashing clamp and frame for heavy duty tractor grate.

OPTIONS (Check/specify appropriate options)

PIPE SIZE

- 3-4-6 [76-102-152]
- 3-4-6 [76-102-152]
- 3-4-6 [76-102-152]
- 3-4 [76-102]
- 6 [152]
- 3-4 [76-102]

(Specify size/type) **OUTLET**

- ___ IC Inside Caulk
- ___ IG Inside Gasket
- ___ IP Threaded
- ___ NH No-Hub
- ___ NH No-Hub (IP w/ Z1040)
- ___ NL Neo-Loc

'E' BODY HT. DIM.

- 3-1/2 [89]
- 3-1/2 [89]
- 3-1/2 [89]
- 3-1/2 [89]
- 6 [152]
- 2-5/8 [67]

PREFIXES

- ___ ZS D.C.C.I. Body with Stainless Steel Top

SUFFIXES

- ___ -AR Acid Resisting Epoxy Coated Cast Iron
- ___ -DG Duresist Grate
- ___ -P Trap Primer Connection
- ___ -S Secondary Strainer
- ___ -T Square Top
- ___ -TC Neo-Loc Test Cap Gasket
(3 [76]-4 [102] NL Bottom Outlet Only)
- ___ -TS Top Secured with Slotted Screws
- ___ -V Backwater Valve (See Z1099)
- ___ -VP Vandal-Proof Secured Top
- ___ -Y Sediment Bucket
- ___ -90 90° Threaded Side Outlet Body

REV.	DATE: 11/19/12	C.N. NO. 128486
DWG. NO. 310951	PRODUCT NO. Z509-87	

*REGULARLY FURNISHED UNLESS OTHERWISE SPECIFIED

ZURN INDUSTRIES, LLC. ♦ SPECIFICATION DRAINAGE OPERATION ♦ 1801 Pittsburgh Ave. ♦ Erie, PA 16514

Phone: 814/455-0921 ♦ Fax: 814/454-7929 ♦ World Wide Web: www.zurn.com

In Canada: ZURN INDUSTRIES LIMITED ♦ 3544 Nashua Drive ♦ Mississauga, Ontario L4V1L2 ♦ Phone: 905/405-8272 Fax: 905/405-1292