



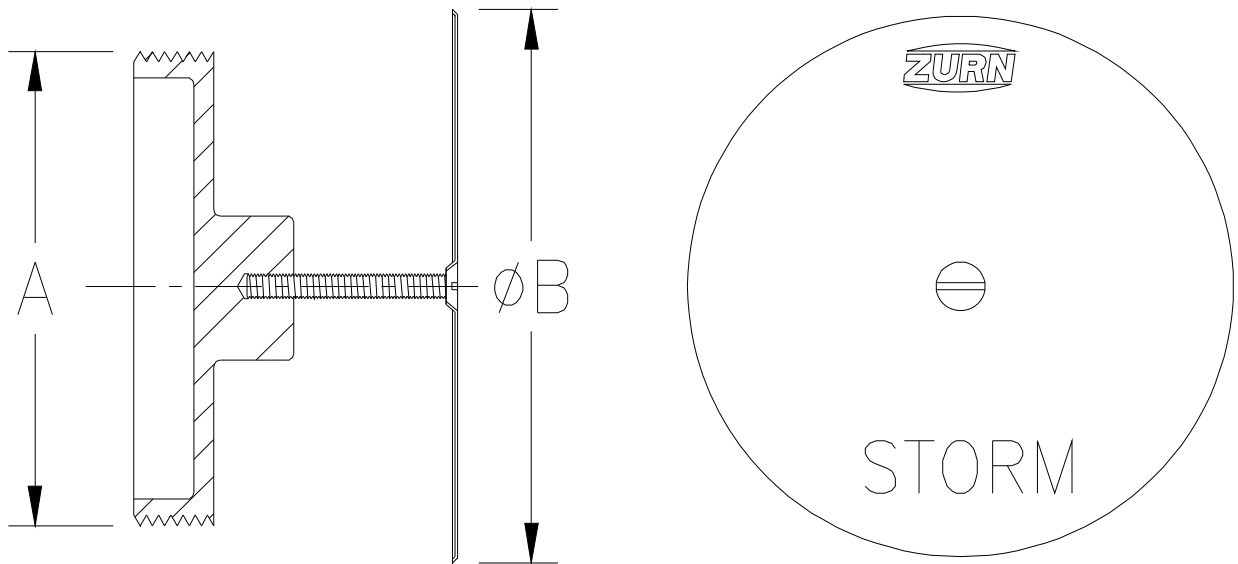
Z1468-76

ACCESS COVER AND PLUG W/ STORM MARKING ON COVER

SPECIFICATION SHEET

TAG _____

Dimensional Data (inches and [mm]) are Subject to Manufacturing Tolerances and Change Without Notice



Product Designation	Dimensions In Inches		Approx. Wt. Lbs. [kg]
	A-Pipe Size	B	
-1.25	1-1/4 [32]	4 [102]	4 [2]
-1.5	1-1/2 [38]		
-2	2 [51]	5 [127]	5 [2]
-2.5	2-1/2 [64]		
-3	3 [76]		
-3.5	3-1/2 [89]		
-4	4 [102]	7 [178]	8 [4]
-5	5 [127]		11 [5]
-6	6 [152]	9 [229]	14 [6]
-8	8 [203]	11 [279]	25 [11]

ENGINEERING SPECIFICATION: ZURN ZS1468-76
Round stainless steel wall access cover engraved with "STORM" complete with securing screw and bronze raised hex head plug.

OPTIONS (Check/specify appropriate options)

PREFIXES

- ___ ZAB Bronze Plug with Polished Bronze Cover
- ___ ZS Bronze Plug with Stainless Steel Cover*

SUFFIXES

- ___ -SL Screw Longer Than 3 1/2 [89]
- ___ -VP Vandal-Proof Screw

REV. - DATE: 06/28/12 C.N. NO. 124504

DWG. NO. 309928 PRODUCT NO. Z1468-76

*REGULARLY FURNISHED UNLESS OTHERWISE SPECIFIED