



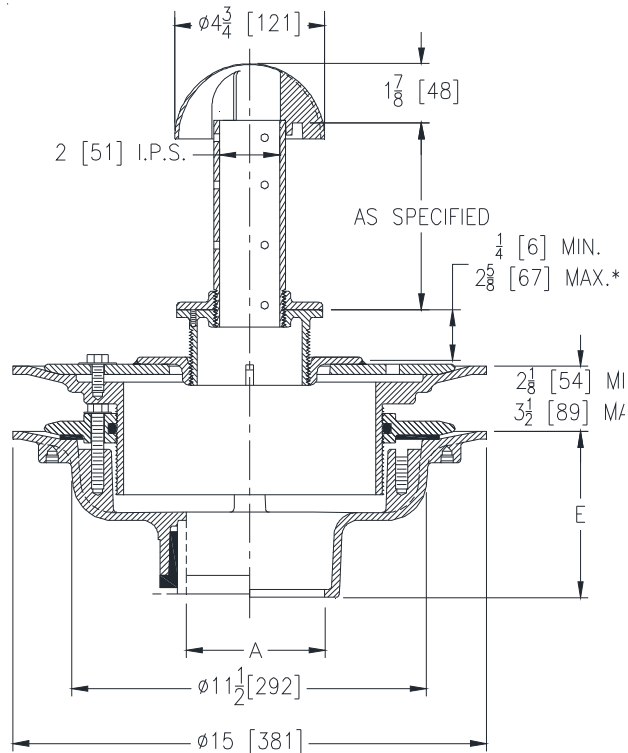
# Z100-359

15 [381] DIAMETER MAIN ROOF DRAIN W/ ADJUSTABLE EXTENSION, CLAMPING COLLAR W/ WEEP HOLES, PERFORATED STANDPIPE & PLANTER DOME

SPECIFICATION SHEET

TAG \_\_\_\_\_

Dimensional Data (inches and [ mm ]) are Subject to Manufacturing Tolerances and Change Without Notice



A Pipe Size In. [mm]	Approx. Wt. Lbs. [kg]	Dome Open Area Sq. In. [cm <sup>2</sup> ]
2,3,4 [51,76,102]	34 [15]	103 [665]
6 [152]	35 [16]	
8 [203]	36 [16]	

### ENGINEERING SPECIFICATION: ZURN Z100-359

15" [381 mm] Diameter roof drain. Dura-Coated cast iron body with adjustable extension, clamping collar with weep holes, combination invertible membrane clamp, vertically adjustable nickel bronze head, dome and 2" [51 mm] diameter perforated stainless steel standpipe.

### OPTIONS (Check/specify appropriate options)

#### PIPE SIZE

- 3, 4, 6 [76,102,152]
- 2, 3, 4, 6, 8 [51,76, 102, 152, 203]
- 2, 3, 4, 6, 8 [51,76, 102, 152, 203]
- 2, 3, 4 [51,76,102]
- 6 [152]

#### (Specify size/type) OUTLET

- \_\_\_\_\_ IC Inside Caulk
- \_\_\_\_\_ IP Threaded
- \_\_\_\_\_ NH No-Hub
- \_\_\_\_\_ NL Neo-Loc
- \_\_\_\_\_ NL Neo-Loc

#### E BODY HT. DIM.

- 5-1/4 [133]
- 3-3/4 [95]
- 5-1/4 [133]
- 4-9/16 [116]
- 5-7/16 [112]

#### PREFIXES

- \_\_\_\_\_ Z D.C.C.I. Body\*

#### SUFFIXES

- |  |   |
|--|---|
| _____ -AC Angular Underdeck Clamp                                | _____ -G Galvanized Cast Iron   |
| _____ -C Underdeck Clamp   | _____ -R Roof Sump Receiver   |
| _____ -DP Top-Set® Deck Plate (Replaces both the -C and -R)      | _____ -TC Neo-Loc Test Cap Gasket (2, 3, 4 [51, 76, 102] NL Bottom Outlet Only) |
| _____ -DR Top-Set® Drain Riser                                   | _____ -XJ Vertical Expansion Joint (See Z190)                                   |
| _____ -DX Dex-o-tex Flange                                       | _____ -90 90° Threaded Side Outlet Body (2, 3, 4, 6 [51, 76, 102, 152])         |
| _____ -E Static Extension 1[25] thru 4[102] (Specify Height)     |   |
| _____ -EA Adjustable Extension Assembly 1-3/4[44] thru 3-1/2[89] |   |

\* Regularly furnished unless otherwise specified.