



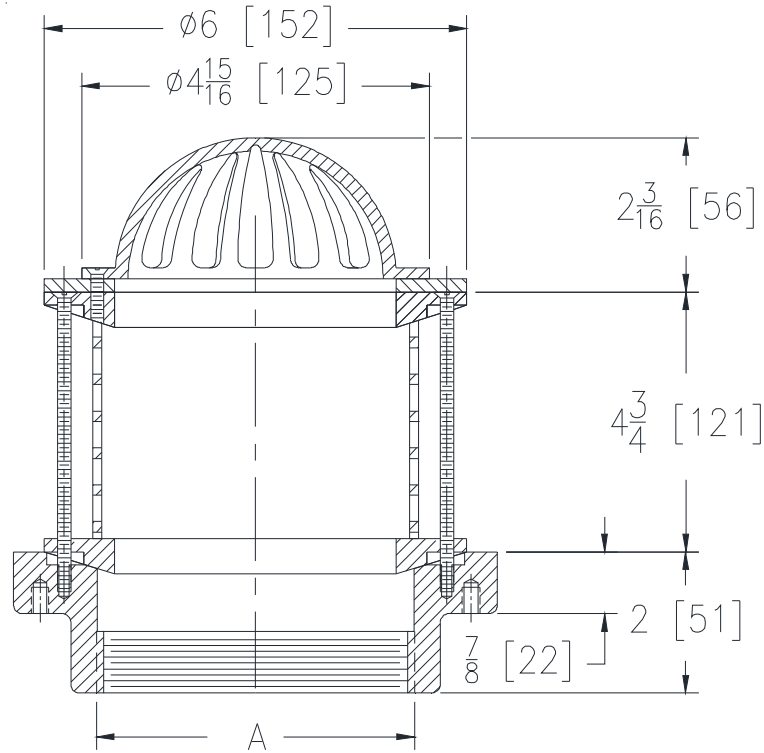
Z181-97

Ø6 [152] CORNICE DRAIN BOTTOM OUTLET
W/ STAINLESS STEEL PERFORATED EXTENSION &
DUAL CLAMPING COLLARS

SPECIFICATION SHEET

TAG _____

Dimensional Data (inches and [mm]) are Subject to Manufacturing Tolerances and Change Without Notice



A- Pipe Size In. [mm]	Approx. Wt. Lbs. [kg]	Dome Open Area Sq. In. [cm ²]
3 [76]	7 [3]	12 [72]
4 [102]	8 [4]	

ENGINEERING SPECIFICATION: ZURNZRB181-93
6" [152mm] Diameter by 2" [51 mm] High Cornice drain, Dura-Coated cast iron body, stainless steel perforated extension, secured plain bronze dome, membrane flashing clamps, and dual clamping collars.

OPTIONS (Check/specify appropriate options)

PIPE SIZE

3,4 [76,102]
3,4 [76,102]

(Specify size/type) **OUTLET**

___ IP Threaded
___ NH No-Hub (IP w/ Z1040)

PREFIXES

___ ZRB D.C.C.I. Body with Plain Bronze Dome*
___ ZB D.C.C.I. Body with Polished Bronze Dome
___ ZN D.C.C.I. Body with Polished Nickel Bronze Dome

SUFFIXES

___ -BS	Bronze Mesh Screen Over Dome	___ -VP	Vandal Proof Secured Top
___ -C	Underdeck Clamp	___ -8	8" [203mm] High Body
___ -FS	Flat Strainer (ZB or ZN)		
___ -G	Galvanized Cast Iron		
___ -HD	5-3/4" [146mm] High Dome		
___ -R	Roof Sump Receiver		
___ -SS	Stainless Steel Mesh Over Dome		

* Regularly furnished unless otherwise specified.

Zurn Industries, LLC | Specification Drainage Operation
1801 Pittsburgh Avenue, Erie, PA U.S.A. 16502 · Ph. 855-663-9876, Fax 814-454-7929
In Canada | Zurn Industries Limited
3544 Nashua Drive, Mississauga, Ontario L4V 1L2 · Ph. 905-405-8272, Fax 905-405-1292
www.zurn.com

Rev. -
Date: 06/05/17
C.N. No. 137011
Prod. | Dwg. No. Z181-97