

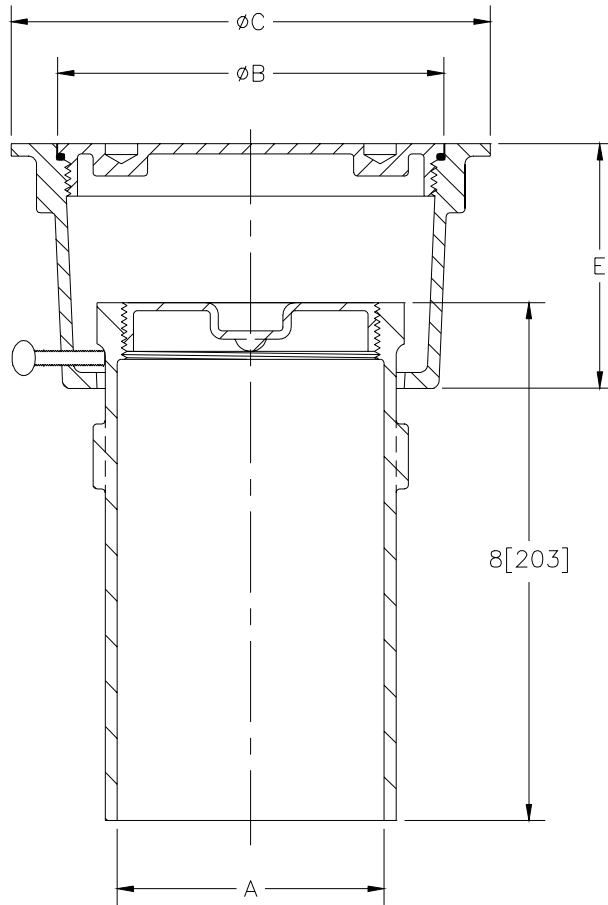


**Z-1456-75 DECK CLEANOUT  
WITH Z-1449 CLEANOUT FERRULE  
WITH PLUG**

SPECIFICATION SHEET

TAG \_\_\_\_\_

Dimensional Data (inches and [ mm ]) are Subject to Manufacturing Tolerances and Change Without Notice



Dimensions In Inches			Approx. Wt. Lbs.
A Pipe Size	IC		
	B	C	
2[51]	3-1/2[89]	4-3/4[121]	7[3]
3[75]	5[127]	6[152]	10[5]
4[102]	6[152]	7-3/8[187]	14[6]
5[127]	8[203]	9-3/8[238]	20[9]
6[152]			25[11]

**ENGINEERING SPECIFICATION:** ZURN ZANB-1456-75 Deck cleanout, nickel bronze body with scoriated deck plug, "O" ring seal, set screws and Z-1449 cleanout ferrule with plug.

**OPTIONS** (Check/specify appropriate options)

**OUTLET** (Specify type)

\_\_\_\_\_ **IC** Inside Caulk

**PIPE SIZE** (Specify size)

\_\_\_\_\_ 2" thru 6"[51 thru 152]

**'E' BODY HT. DIMENSION**

3-1/4"[83]

**PREFIXES**

- \_\_\_\_\_ **ZAB-** Bronze with Polished Scoriated Top\*
- \_\_\_\_\_ **ZANB-** Nickel Bronze with Polished Scoriated Top

**SUFFIXES**

- \_\_\_\_\_ **-DX** Dex-o-tex Flange
- \_\_\_\_\_ **-SP** Spanner Wrench

\*REGULARLY FURNISHED UNLESS OTHERWISE SPECIFIED

REV. _____	DATE: <u>7/20/92</u>	C.N. NO. <u>68426</u>
DWG. NO. <u>P-13720</u>	PRODUCT NO. <u>Z-1456-75</u>	