

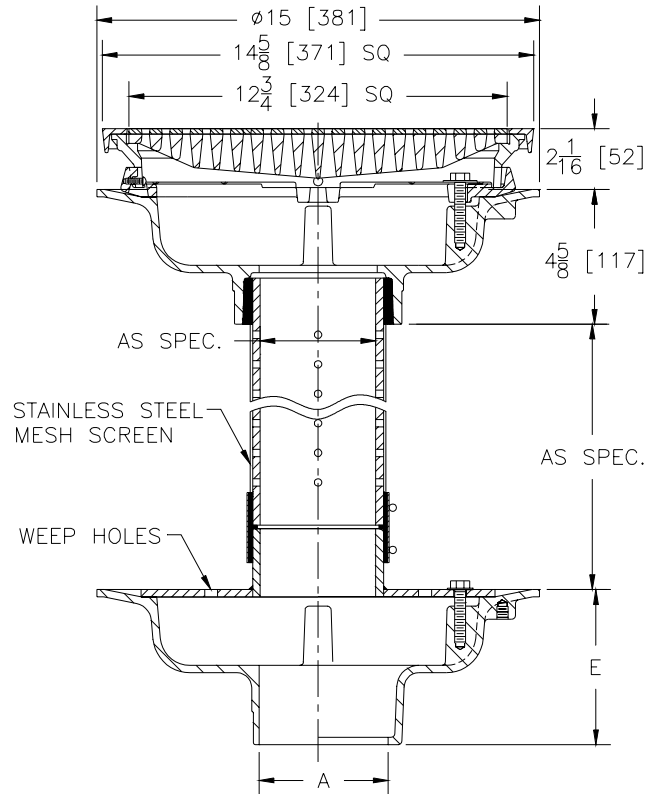


ZN-150-115
14 [356] PROM-DECK DRAIN
WITH HEEL PROOF GRATE

SPECIFICATION SHEET

TAG _____

Dimensional Data (inches and [mm]) are Subject to Manufacturing Tolerances and Change Without Notice



A- Pipe Size In.	Approx. Wt. Lbs. [kg]	Grate Open Area Sq. In. [cm ²]
2-3-4 [50-75-100]	108 [49]	44 [284]
5-6 [125-150]		
8 [200]	103 [47]	
10 [250]		

ENGINEERING SPECIFICATION: ZURN ZN-150-115 Top Prom-Deck drain, Dura-Coated cast iron upper and lower bodies, with bottom outlet, lower body with flat membrane flashing clamping collar, steel perforated extension with stainless steel mesh screen. Upper body with combination membrane flashing clamp/gravel guard, promenade frame, vandal proof secured heavy duty heel proof grate and nickel bronze top.

OPTIONS (Check/specify appropriate options)

PIPE SIZE

- 2 thru 6, 8, 10 [50 thru 150, 200, 250]
- 2 thru 4, 6 [50 thru 100, 150]
- 2 thru 6, 8, 10 [50 thru 150, 200, 250]
- 2 thru 6, 8, 10 [50 thru 150, 200, 250]
- 2 thru 4 [50 thru 100]

(Specify size/type) **OUTLET**

- ___ IC Inside Caulk
- ___ IG Inside Caulk w/Sealtrol Gskt.
- ___ IP Threaded
- ___ NH No-Hub
- ___ NL Neo-Loc

E BODY HT. DIM.

- 5 1/4 [133]
- 5 1/4 [133]
- 3 3/4 [95]
- 5 1/4 [133]
- 4 5/8 [117]

PREFIXES

- ___ ZB- D.C.C.I. Body with Polished Bronze Top
- ___ ZN- D.C.C.I. Body with Polished Nickel Bronze Top*

SUFFIXES

- ___ -AC Angular Underdeck Clamp
- ___ -C Underdeck Clamp
- ___ -G Galvanized Cast Iron
- ___ -TS Top Secured With Slotted Screws
- ___ -XJ Vertical Expansion Joint (See Z-190)

REV.	DATE: 3/21/01	C.N. NO. 87343
DWG. NO. P-14822 PRODUCT NO. ZN-150-115		

*REGULARLY FURNISHED UNLESS OTHERWISE SPECIFIED