

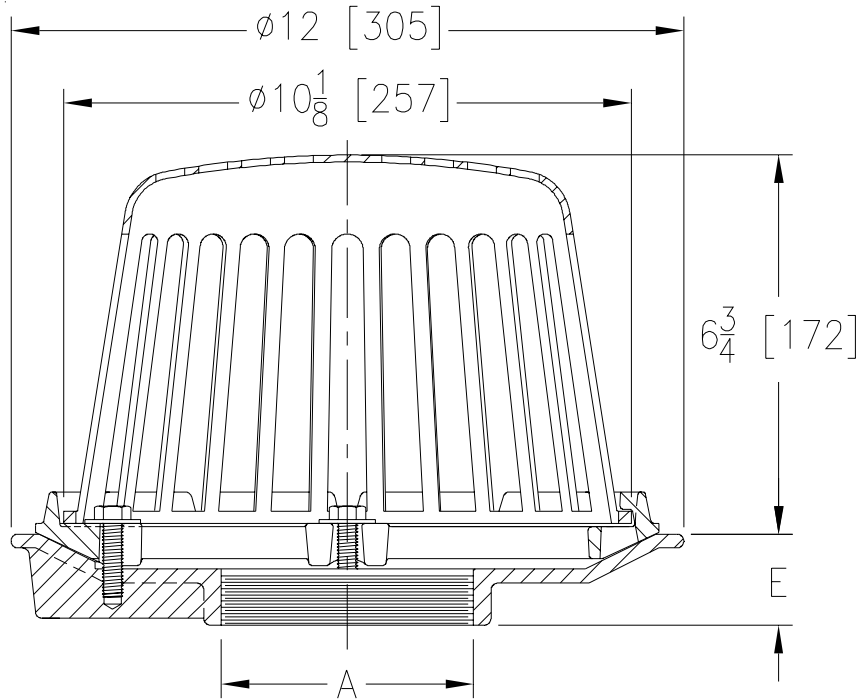


Z111-81
12 [305] DIAMETER ROOF DRAIN FOR METAL
DECKS W/ HIGH ALUMINUM DOME STRAINER

SPECIFICATION SHEET

TAG _____

Dimensional Data (inches and [mm]) are Subject to Manufacturing Tolerances and Change Without Notice



| A Pipe Size | Approx. Wt. Lbs. [kg] | Dome Open Area Sq. In. [cm ²] |
|----------------|-----------------------------|---|
| 3 [76] | 18 [8] | 113 [729] |
| 4 [102] | 16 [7] | |
| 6 [152] | 16 [7] | |

ENGINEERING SPECIFICATION: ZURN Z111-81

12 [305] Diameter Flat Deck roof drain for metal decks, Dura-Coated cast iron body with combination membrane flashing clamp/gravel guard and high aluminum dome strainer.

OPTIONS (Check/specify appropriate options)

PIPE SIZE

3,4 [76,103]
6 [152]

(Specify size/type) **OUTLET**

____ IP Threaded
____ IP Threaded

E BODY HT. DIM.

1 5/8 [41]
1 7/8 [48]

PREFIXES

___ ZA D.C.C.I. Body with Aluminum Dome*

SUFFIXES

- ___ -BS Bronze Mesh Screen Over Dome
- ___ -C Underdeck Clamp
- ___ -FG Flush Grate (Z Only)
- ___ -G Galvanized Cast Iron
- ___ -R Roof Sump Receiver
- ___ -SS Stainless Steel Mesh Screen Over Dome
- ___ -VP Vandal-Proof Secured Top
- ___ -XJ Vertical Expansion Joint (See Z190)

REV. DATE: 3/24/09 C.N. NO. 99842

DWG. NO. P-15683 PRODUCT NO. Z111-81

*REGULARLY FURNISHED UNLESS OTHERWISE SPECIFIED

ZURN INDUSTRIES, LLC. ♦ SPECIFICATION DRAINAGE OPERATION ♦ 1801 Pittsburgh Ave. ♦ Erie, PA 16514

Phone: 814/455-0921 ♦ Fax: 814/454-7929 ♦ World Wide Web: www.zurn.com

In Canada: ZURN INDUSTRIES LIMITED ♦ 3544 Nashua Drive ♦ Mississauga, Ontario L4V1L2 ♦ Phone: 905/405-8272 Fax: 905/405-1292