



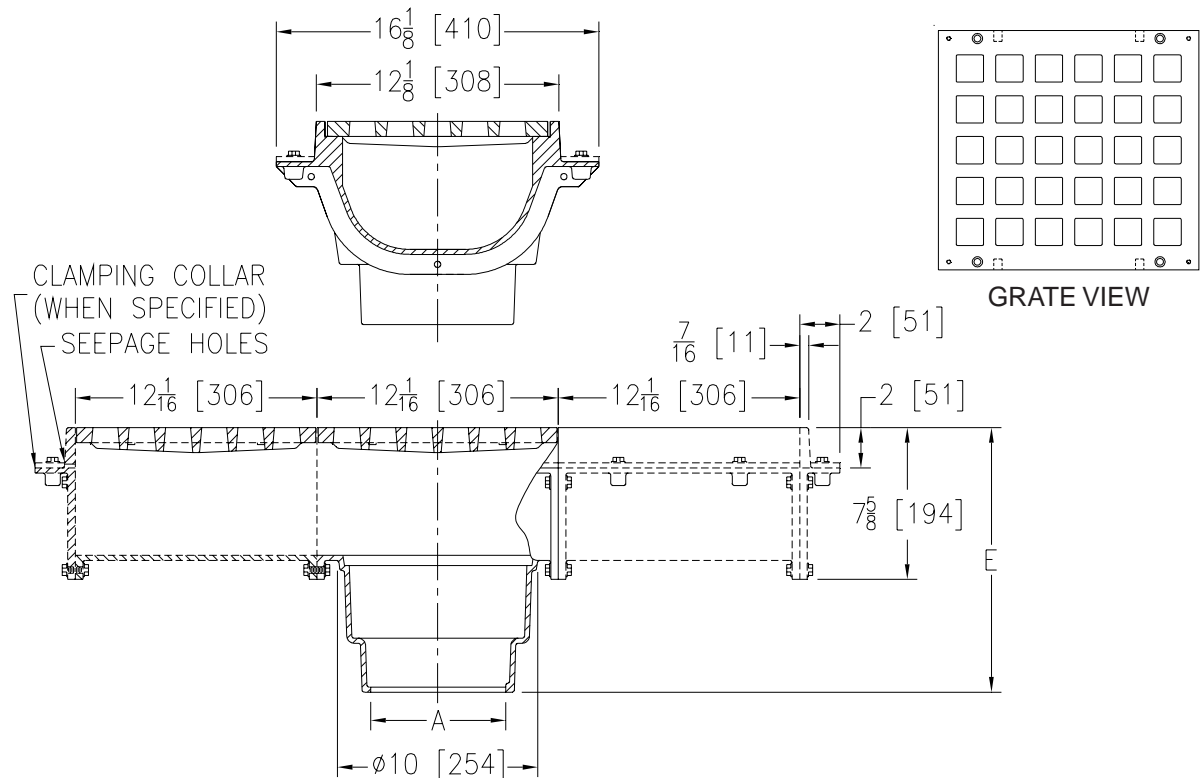
Z665-90

SPECIFICATION SHEET

12 [305] WIDE MODULAR TRENCH DRAIN WITH SQUARE SLOTTED MEDIUM-DUTY GRATE

TAG _____

Dimensional Data (inches and [mm]) are Subject to Manufacturing Tolerances and Change Without Notice



A Pipe Size	Approx. Wt. Lbs. [kg]	Grate Open Area Sq. In. [cm ²]
2, 3, 4 [51, 76, 102]	85 [39]	47 [303]
5, 6 [127, 152]	95 [43]	

ENGINEERING SPECIFICATION Z665-90

12 [305] Wide top modular trench drain, Dura-Coated cast iron deep sump body with bottom outlet. Both 12 [305] long outlet module and extension modules are complete with integral seepage pan and loose medium-duty square slotted grate, with added open area.

OPTIONS (Check/specify appropriate options)

PIPE SIZE

- 2 thru 6 [51 thru 152]
- 2 thru 4, 6 [51 thru 102, 152]
- 2 thru 4 [51 thru 102]

(Specify size/type) OUTLET

- ___ IC Inside Caulk
- ___ IG Inside Caulk w/Sealtrol Gskt.
- ___ NL Neo-Loc

'E' BODY HT. DIM.

- 13 3/16 [335]
- 13 3/16 [335]
- 12 1/2 [318]

PREFIXES

- ___ Z D.C.C.I. Body and Top*
- ___ ZB D.C.C.I Body w/Polished Bronze Top (Add 1/8 [3] to 'E' and 2 [51] Dim.)
- ___ ZN D.C.C.I Body w/Polished Stainless Steel Top (Add 1/8 [3] to 'E' and 2 [51] Dim.)

SUFFIXES

- ___ -AR Acid Resisting Epoxy Coated Cast Iron (Per Section)
- ___ -C Clamp Collar (Per Section)
- ___ -DB Bottom Dome Strainer (Per Outlet Section)
- ___ -DG Duresist Grate (Per Section)
- ___ -ES 12 [305] Extension Section (Specify Number of Sections Required)
- ___ -G Galvanized Cast Iron (Per Section)
- ___ -HP Heel-Proof Grate (ZB and ZN Only) (Per Section)
- ___ -M Side Outlet Adapter Via End Plate
- ___ -SB Shallow Body (Bucket not Available)
- ___ -TC Neo-Loc Test Cap Gasket (2 [51] - 4 [102] NL Bottom Outlet Only)
- ___ -TS Top Secured with Slotted Screws (Per Section)
- ___ -VP Vandal-Proof Secured Top (Per Section)
- ___ -Y Sediment Bucket (Per Outlet Section)

*REGULARLY FURNISHED UNLESS OTHERWISE SPECIFIED

REV. DATE: 1/20/06 C.N. NO. 94604

DWG. NO. P-15242 PRODUCT NO. Z665-90

ZURN INDUSTRIES, INC. ♦ SPECIFICATION DRAINAGE OPERATION ♦ 1801 Pittsburgh Ave. ♦ Erie, PA 16514

Phone: 814455-0921 ♦ Fax: 814454-7929 ♦ World Wide Web: www.zurn.com

In Canada: ZURN INDUSTRIES LIMITED ♦ 3544 Nashua Drive ♦ Mississauga, Ontario L4V1L2 ♦ Phone: 905/405-8272 Fax: 905/405-1292