



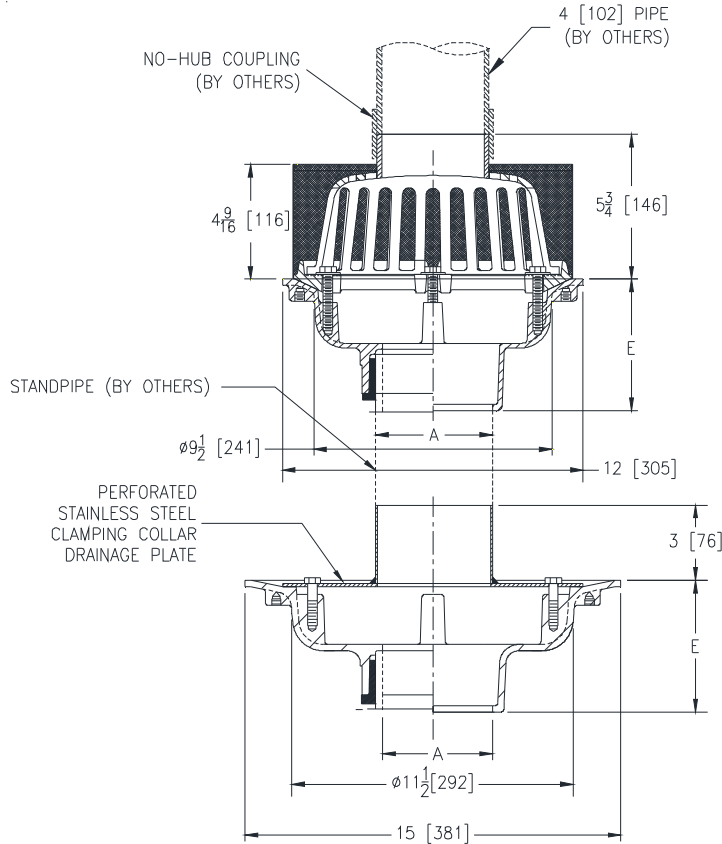
Z121-120

12 [305] DIAMETER MAIN ROOF DRAIN W/NO-HUB
STANDPIPE AND STAINLESS STEEL MESH OVER
DOME W/ 15 [381] LOWER BODY AND ADAPTOR

SPECIFICATION SHEET

TAG _____

Dimensional Data (inches and [mm]) are Subject to Manufacturing Tolerances and Change Without Notice



A Pipe Size In. [mm]	Approx. Wt. Lbs. [kg]	Dome Open Area Sq. In. [cm ²]
2,3,4 [51,76,102]	40 [18]	78 [503]
5,6 [127,152]	39 [17]	

ENGINEERING SPECIFICATION: ZURN Z121-120

12" [305mm] Diameter roof drain. Dura-Coated cast iron body with combination membrane flashing clamp/gravel guard and low silhouette cast iron dome with 4" [102mm] no-hub standpipe, and stainless steel mesh over dome. 15" [381mm] diameter lower drain body with perforated stainless steel plate and no-hub adaptor.

OPTIONS (Check/specify appropriate options)

PIPE SIZE

- 2,3,4,5,6 [51,76,102,127,152]
- 2,3,4,5,6 [51,76,102,127,152]
- 2,3,4,5,6 [51,76,102,127,152]
- 2,3,4,6 [51,76,102,152]

(Specify size/type) OUTLET

- ___ IC Inside Caulk
- ___ IP Threaded
- ___ NH No-Hub
- ___ NL Neo-Loc

E BODY HT. DIM.

- 5-1/4 [133]
- 3-3/4 [95]
- 5-1/4 [133]
- 4-9/16 [116]

PREFIXES

- ___ Z D.C.C.I. Body and Dome*

SUFFIXES

- ___ -AR Acid Resistant Epoxy Coated
- ___ -C Underdeck Clamp (Lower Body)
- ___ -DP Top-Set® Deck Plate (Lower Body)
- ___ -DR Top-Set® Drain Riser (Lower Body)
- ___ -EB Top-Set® Adjustable Extension Assembly (Lower Body)

- ___ -G Galvanized Cast Iron
- ___ -GD Galvanized Cast Iron Dome
- ___ -R Roof Sump Receiver (Lower Body)
- ___ -TC Neo-Loc Test Cap Gasket (2,3,4 [51,76,102] NL Bottom Outlet Only)
- ___ -VP Vandal-Proof Secured Top
- ___ -90 90° Threaded Side Outlet Body (2,3,4,6 [51,76,102,152] Lower Body)

* Regularly furnished unless otherwise specified.