



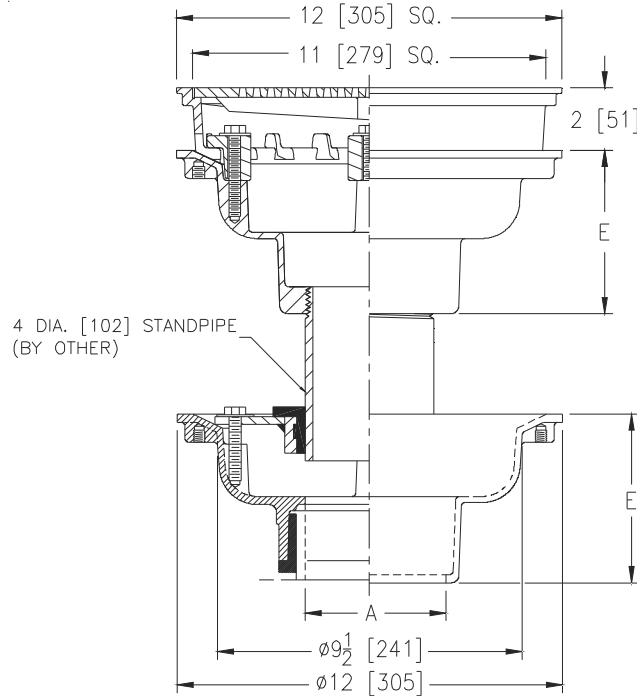
Z154-101

12 [305] SQUARE TOP PROM-DECK DRAIN W/ HEEL-PROOF GRATE & ROTATABLE FRAME W/ LOWER ISOLATION DECK DRAIN BODY

SPECIFICATION SHEET

TAG _____

Dimensional Data (inches and [mm]) are Subject to Manufacturing Tolerances and Change Without Notice



A	Approx.	Grate Open
Pipe Size In.	Wt. Lbs.	Area
[mm]	[kg]	In ² [cm ²]
2,3,4,6 [51,76,102,152]	29 [13]	34 [219]

ENGINEERING SPECIFICATION: ZURNZ154-101

12" [305mm] Square Top Prom-Deck drain, Dura-Coated cast iron body with rotatable light duty square promenade frame with seepage openings, frame clamps and light duty heel-proof grate. Complete with Dura-Coated cast iron lower isolation deck drain body, clamp collar, neoprene reflex gasket, and isolation nipple.

OPTIONS (Check/specify appropriate options)

PIPE SIZE

- 2,3,4,5,6 [51,76,102,127,152]
- 2,3,4,5,6 [51,76,102,127,152]
- 2,3,4,5,6 [51,76,102,127,152]
- 2,3,4 [51,76,102]

(Specify size/type) **OUTLET**

- ___ IC Inside Caulk
- ___ IP Threaded
- ___ NH No-Hub
- ___ NL Neo-Loc

'E' BODY HT. DIM.

- 5-1/4 [133]
- 3-3/4 [95]
- 5-1/4 [133]
- 4-9/16 [117]

PREFIXES

- ___ Z D.C.C.I. Body with Top*
- ___ ZB D.C.C.I. Body with Polished Bronze Top (Add 3/16 [5] to 2 [51] Dim & 5/8 [16] to 12 [305] Dim.)
- ___ ZN D.C.C.I. Body with Polished Nickel Bronze Top (Add 3/16 [5] to 2 [51] Dim & 5/8 [16] to 12 [305] Dim.)

SUFFIXES

- ___ -AR Acid Resistant Epoxy Coated
- ___ -C Underdeck Clamp
- ___ -DG Duresist Grate (Z Only)
- ___ -DP Top-Set® Roof Deck Plate (Replaces Both the -C and -R)
- ___ -DT Decorative Polished Top (ZB and ZN Only)
- ___ -E 2 [51] High Static Extension
- ___ -EB Top-Set® Adjustable Extension Assembly
- ___ -G Galvanized Cast Iron
- ___ -R Roof Sump Receiver
- ___ -S Secondary Strainer
- ___ -SC Secondary Clamp Collar
- ___ -TC Neo-Loc Test Cap Gasket (2 [51] - 4 [102] NL Bottom Outlet Only)
- ___ -TS Top Secured with Slotted Screws
- ___ -VP Vandal-Proof Secured Top
- ___ -XJ Vertical Expansion Joint (See Z190)
- ___ -Y Sediment Bucket
- ___ -85 Stainless Steel Perforated Extension

* Regularly furnished unless otherwise specified.