

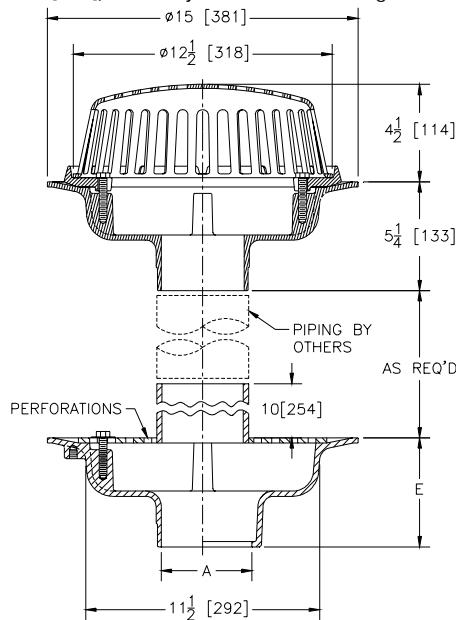


Z-100-160
15 [381] DIAMETER ISOLATION ROOF DRAIN
LOW SILHOUETTE DOME

SPECIFICATION SHEET

TAG _____

Dimensional Data (inches and [mm]) are Subject to Manufacturing Tolerances and Change Without Notice



A- Pipe Size In.	Approx. Wt. Lbs. [kg]	Dome Open Area Sq. In. [cm ²]
2-3-4 [50-75-100]	59 [27]	103 [665]
5-6 [125-150]	60 [27]	
8 [200]	61 [28]	

ENGINEERING SPECIFICATION: ZURN Z-100-160 15 [381] Diameter roof drain. Dura-Coated cast iron upper and lower bodies. Lower body with perforated clamp collar and no-hub standpipe. Upper body with no-hub bottom outlet, combination membrane flashing clamp/gravel guard, and low silhouette poly-dome.

OPTIONS (Check/specify appropriate options)

PIPE SIZE	(Specify size/type)	OUTLET	E BODY HT. DIM.
2 thru 6, 8 [50 thru 150,200]	_____	IC Inside Caulk	5 1/4 [133]
2 thru 6, 8 [50 thru 150,200]	_____	IP Threaded	3 3/4 [95]
2 thru 6, 8 [50 thru 150,200]	_____	NH No-Hub	5 1/4 [133]
2,3,4 [50,75,100]	_____	NL Neo-Loc	4 5/8 [117]

PREFIXES

- _____ Z- D.C.C.I. Body with Poly-Dome*
- _____ ZA- D.C.C.I. Body with 6 3/4 [171] High Aluminum Dome
- _____ ZC- D.C.C.I. Body with Cast Iron Dome
- _____ ZRB- D.C.C.I. Body with Plain Bronze Dome

SUFFIXES

- | | |
|--|---|
| _____ -AC Angular Underdeck Clamp | _____ -R Roof Sump Receiver |
| _____ -AR Acid Resistant Epoxy Coated Finish | _____ -SC Secondary Clamping Collar |
| _____ -AW 3/4 [19] to 4 [102] Adj. Water Level Regulator | _____ -SS Stainless Steel Mesh Screen Over Dome |
| _____ -BS Bronze Mesh Screen Over Dome | _____ -VP Vandal Proof Secured Top |
| _____ -C Underdeck Clamp | _____ -W2 2 [51] Internal Water Dam |
| _____ -DX Dex-o-tex Flange | _____ -W3 3 [76] Internal Water Dam |
| _____ -E Static Extension 1 [25] thru 4 [102] (Specify Ht.) | _____ -W4 4 [102] Internal Water Dam |
| _____ -EA Adjustable Extension Assembly
1 3/4 [44] thru 3 1/2 [89] | _____ -XJ Vertical Expansion Joint (See Z-190) |
| _____ -ES Static Extension With Secondary Clamp | _____ -84 Stainless Steel Perforated Gravel Guard |
| _____ -FG Flush Grate | _____ -85 Stainless Steel Perforated Extension |
| _____ -G Galvanized Cast Iron | _____ -89 2 [51] High External Water Dam |
| _____ -GD Galvanized Cast Iron Dome | _____ -90 90° Threaded Side Outlet Body |
| _____ -HD 6 3/4 [171] High Aluminum Dome
(148 Sq. In. [955 cm ²] Open Area) | |

*REGULARLY FURNISHED UNLESS OTHERWISE SPECIFIED

REV.	DATE: 7/30/02	C.N. NO. 89707
DWG. NO. P-14917 PRODUCT NO. Z-100-160		