



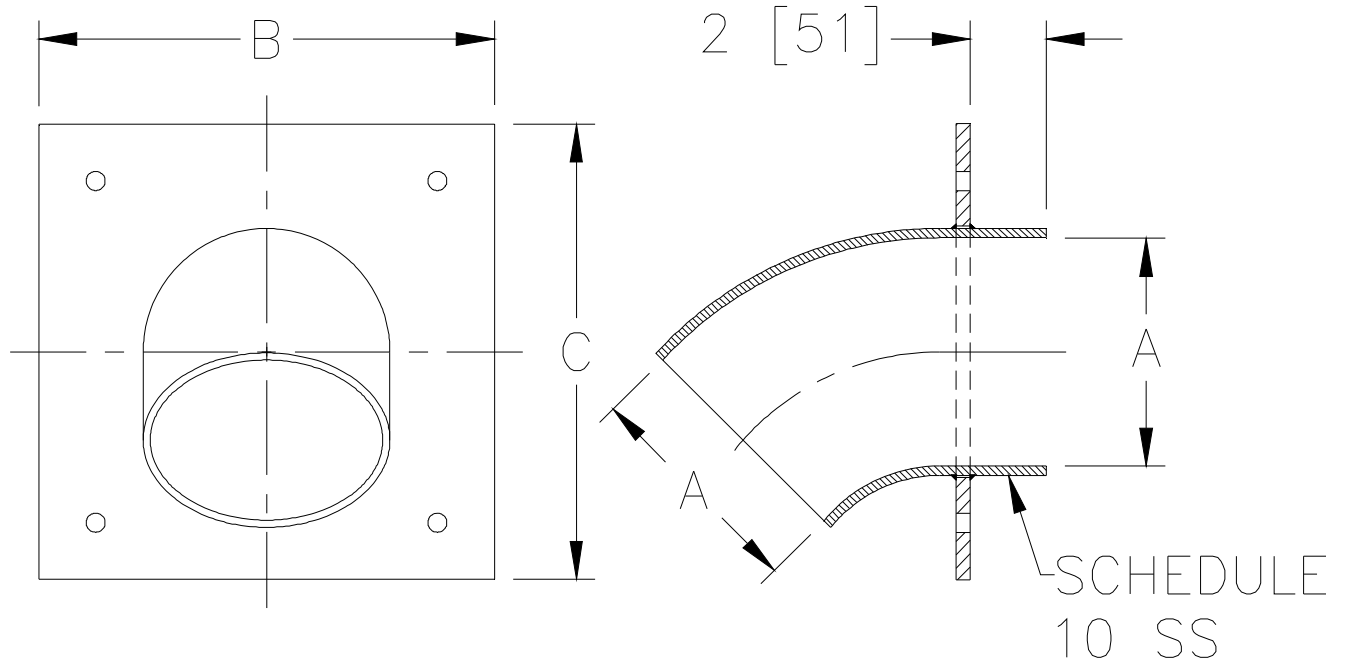
Z199-104

FABRICATED HORIZONTAL DOWNSPOUT NOZZLE WITH MOUNTING HOLES AND SCHEDULE 10 CONNECTION

SPECIFICATION SHEET

TAG _____

Dimensional Data (inches and [mm]) are Subject to Manufacturing Tolerances and Change Without Notice



| Dimensions in Inches [mm] | | |
|---------------------------|----------|----------|
| A Pipe Size | B | C |
| 6 [152] | 12 [305] | 12 [305] |
| 8 [203] | 12 [305] | 12 [305] |
| 10 [254] | 14 [356] | 14 [356] |
| 14 [356] | 18 [457] | 18 [457] |

ENGINEERING SPECIFICATION: ZURN Z199-104

Angled discharge downspout nozzle, All type 304 stainless steel with (4) mounting holes and Schedule 10 pipe connection.

OPTIONS (Check/specify appropriate options)

PIPE SIZE

6, 8, 10, 14 [152, 203, 254, 356]

(Specify size) OUTLET

___ NH No-Hub

PREFIXES

___ ZS Type 304 Stainless Steel*

* Regularly furnished unless otherwise specified.