



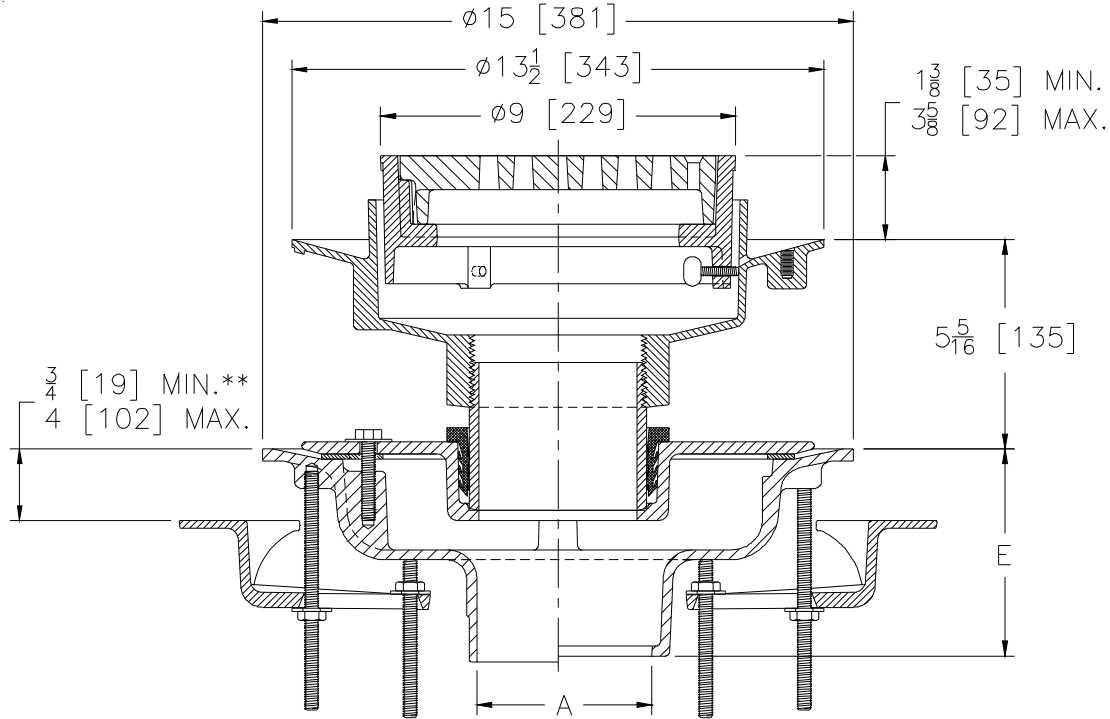
# Z627-C

## HEAVY-DUTY ADJUSTABLE ISOLATION DECK DRAIN W/ UNDERDECK CLAMP

SPECIFICATION SHEET

TAG \_\_\_\_\_

Dimensional Data (inches and [ mm ]) are Subject to Manufacturing Tolerances and Change Without Notice



A- Pipe Size In. [mm]	Approx. Wt. Lbs. [kg]	Grate Open Area Sq. In. [cm <sup>2</sup> ]
2, 3, 4 [51, 76, 102]	70 [32]	18 [116]
5, 6 [127, 152]		

### ENGINEERING SPECIFICATION: ZURN Z627-C

Heavy-duty adjustable isolation deck drain, Dura-Coated cast iron upper and lower bodies, clamp collar, neoprene flex gasket, isolation nipple, 8" [203mm] diameter round heavy duty grate and underdeck clamp on lower body.

### OPTIONS (Check/specify appropriate options)

#### PIPE SIZE

2, 3, 4, 5, 6 [51, 76, 102, 127, 152]  
2, 3, 4 [51, 76, 102]

#### (Specify size/type) OUTLET

\_\_\_\_\_ NH No-Hub  
\_\_\_\_\_ NL Neo-Loc

#### E BODY HT. DIM.

5-1/4 [133]  
4-5/8 [117]

#### PREFIXES

\_\_\_\_\_ Z D.C.C.I. Body and Top\*  
\_\_\_\_\_ ZN D.C.C.I. Body with Polished Nickel Bronze Top (Add 3/16 [5] to 1-3/8 [35] Dim & 3/4 [19] to 9 [229] Dim.)

#### SUFFIXES

\_\_\_\_\_ -CC Clamp Collar (Upper Body)  
\_\_\_\_\_ -DG Duresist Grate  
\_\_\_\_\_ -G Galvanized Cast Iron  
\_\_\_\_\_ -R Sump Receiver (Lower Body)  
\_\_\_\_\_ -TS Top Secured with Slotted Screws  
\_\_\_\_\_ -VP Vandal Proof Secured Top  
\_\_\_\_\_ -Y Sediment Bucket

\* Regularly furnished unless otherwise specified.