

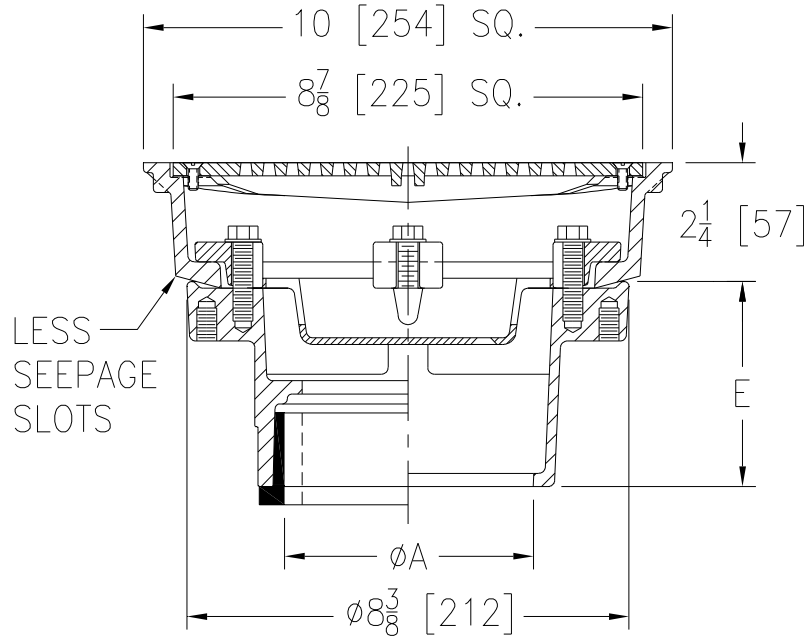


# Z158-98

## SPECIFICATION SHEET

### 10 [254] SQUARE TOP PROM-DECK DRAIN W/ HEEL-PROOF DUCTILE GRATE, ROTATABLE FRAME & SEDIMENT BUCKET TAG \_\_\_\_\_

Dimensional Data (inches and [mm]) are Subject to Manufacturing Tolerances and Changes Without Notice



| A<br>Pipe Size In. | Approx.<br>Wt. Lbs.<br>[kg] | Grate Open Area<br>Sq. In. [cm <sup>2</sup> ] |
|--------------------|-----------------------------|---|
| 2-3-4 [51-76-102]  | 20 [9]                      | 21 [136]                                      |

#### ENGINEERING SPECIFICATION: ZURN Z158-98

10 [254] Square Top Prom-Deck drain, Dura-Coated cast iron body with rotatable square promenade frame, frame clamps, secured ductile iron heel-proof grate and sediment bucket.

**NOTE:** Frame and grate to be provided without coating.

#### OPTIONS (Check/specify appropriate options)

##### PIPE SIZE

2 thru 4 [51 thru 102]  
 2 [51]  
 3 [76]  
 4 [102]  
 2 thru 4 [51 thru 102]  
 2 thru 4 [51 thru 102]

##### (Specify size/type) OUTLET

\_\_\_\_\_ IC Inside Caulk  
 \_\_\_\_\_ IP Threaded  
 \_\_\_\_\_ IP Threaded  
 \_\_\_\_\_ IP Threaded  
 \_\_\_\_\_ NH No-Hub  
 \_\_\_\_\_ NL Neo-Loc

##### 'E' BODY HT. DIM.

3 7/8 [98]  
 2 3/8 [60]  
 2 5/8 [67]  
 2 7/8 [73]  
 3 7/8 [98]  
 3 3/4 [95]

##### PREFIXES

\_\_\_ Z D.C.C.I. Body with Top\*

##### SUFFIXES

\_\_\_ -AR Acid Resistant Epoxy Coated  
 \_\_\_ -C Underdeck Clamp  
 \_\_\_ -DP Top-Set® Roof Deck Plate (Replaces Both the -C and -R)  
 \_\_\_ -E 2 [51] High Static Extension  
 \_\_\_ -EB Top-Set® Adjustable Extension Assembly  
 \_\_\_ -ES Static Extension with Secondary Clamp Collar at Body (For Clamping at Roof Drain Body)  
 \_\_\_ -G Galvanized Cast Iron  
 \_\_\_ -R Roof Sump Receiver  
 \_\_\_ -S Secondary Strainer  
 \_\_\_ -SC Secondary Clamp Collar  
 \_\_\_ -TC Neo-Loc Test Cap Gasket  
 (2 - 4 [51-102] NL Bottom Outlet Only)

\_\_\_ -VP Vandal-Proof Secured Top  
 \_\_\_ -XJ Vertical Expansion Joint (See Z190)  
 \_\_\_ -85 Stainless Steel Perforated Extension  
 \_\_\_ -90 90° Threaded Side Outlet Body  
 (2 [51] thru 4 [102])

\*REGULARLY FURNISHED UNLESS OTHERWISE SPECIFIED

REV. DATE: 06/29/06 C.N. NO. 95270

DWG. NO. P-15304 PRODUCT NO. Z158-98