



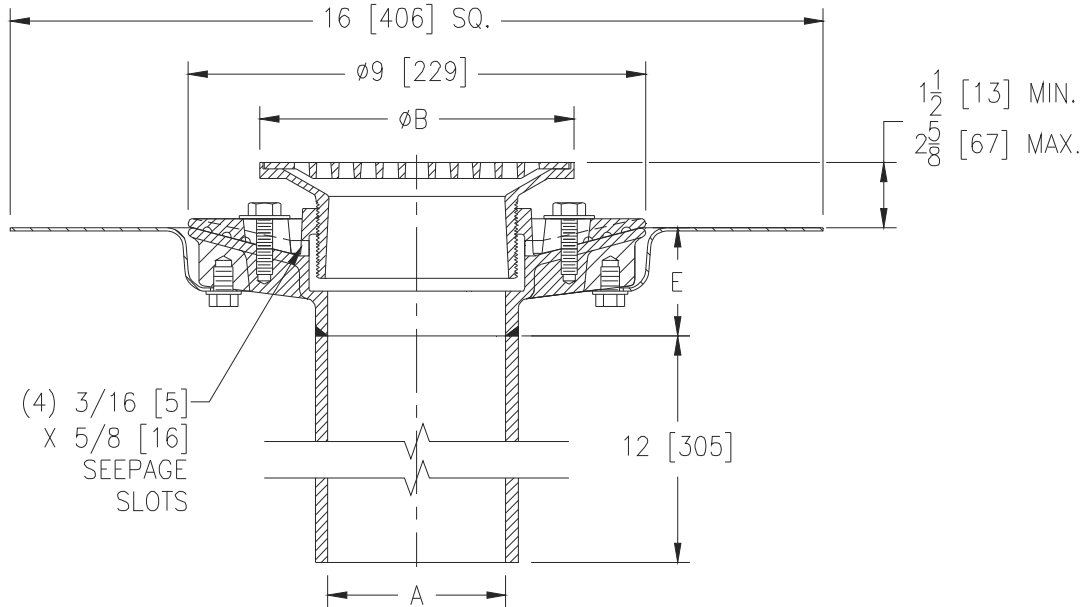
Z1726-94

ADJUSTABLE MEDIUM DUTY FLOOR DRAIN
W/ CLAMP COLLAR, SEEPAGE HOLES, DECK
PLATE, & 12 [305] LONG OUTLET

SPECIFICATION SHEET

TAG _____

Dimensional Data (inches and [mm]) are Subject to Manufacturing Tolerances and Change Without Notice



Dimensions In Inches [mm]		Approx. Wt. Lbs. [kg]	Strainer Open Area Sq. In. [cm ²]
A Pipe Size	B Strainer Dia.		
2,3 [51,76]	5 [127]	31 [14]	7 [45]
2,3,4 [51,76,102]	6 [152]*	31 [14]	11 [71]
2,3,4 [51,76,102]	7 [178]	32 [15]	15 [97]
3,4,6 [76,102,152]	8 [203]	34 [15]	20 [129]
6 [152]	10 [254]	37 [17]	27 [174]

ENGINEERING SPECIFICATION: ZURN Z1726-94

All Type 304 (CF8) stainless steel adjustable floor drain with anchor flange, clamp collar with seepage holes, stainless steel deck plate and regularly furnished with a 6" [152mm] diameter medium-duty vertically adjustable, satin finish top, & 12" [305mm] long outlet.

OPTIONS (Check/specify appropriate options)

PIPE SIZE

2,3,4,6 [51,76,102,152]

(Specify size/type) **OUTLET**

_____ NH No-Hub

'E' BODY HT. DIM.

2-7/8 [73]

PREFIXES

- _____ Z Type 304 (CF8) Stainless Steel Body*
- _____ ZM Type 316 (CF8M) Stainless Steel Body
- _____ ZL Type 316L (CF3M) Stainless Steel Body

SUFFIXES

- _____ -RD5 5 [127] Diameter Type 304 Stainless Steel Top _____ -SG Solid Gasketed Cover
- _____ -RD7 7 [178] Diameter Type 304 Stainless Steel Top _____ -V Bronze Backwater Valve
- _____ -RD8 8 [203] Diameter Type 304 Stainless Steel Top _____ -VP Vandal-Proof Secured Top
- _____ -RD10 10 [254] Diameter Type 304 Stainless Steel Top _____ -Y Stainless Steel Sediment Bucket

* Regularly furnished unless otherwise specified.