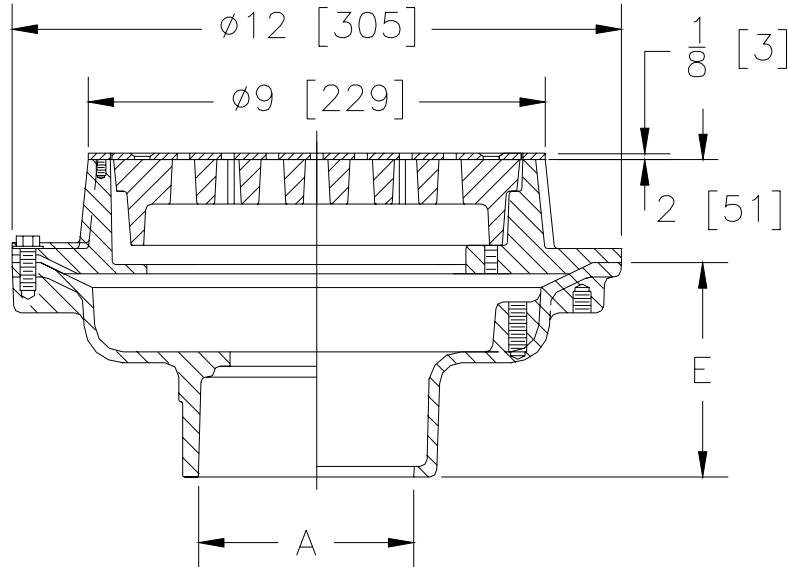




Z-508-84
9" [229] HEAVY DUTY DRAIN

TAG _____

Dimensional Data (inches and [mm]) are Subject to Manufacturing Tolerances and Change Without Notice



A- Pipe Size In.	Approx. Wt. Lbs. [kg]	Grate Open Area Sq. In. [cm ²]
2-3-4 [50-75-100]	21 [10]	18 [116]

ENGINEERING SPECIFICATION: ZURN Z-508-84 9[229] Diameter top drain, Dura-Coated cast iron body with bottom outlet, seepage pan and combination membrane flashing clamp and frame for heavy duty cast iron deep flange slotted grate, nickel bronze frame, and heelproof grate.

OPTIONS (Check/specify appropriate options)

PIPE SIZE

(Specify size/type) **OUTLET**

'E' BODY HT. DIM.

2, 3, 4 [50, 75, 100]	_____ IC Inside Caulk	3 3/4 [95]
2, 3, 4 [50, 75, 100]	_____ IG Inside Caulk w/Sealtrol Gskt.	3 3/4 [95]
2, 3, 4 [50, 75, 100]	_____ IP Threaded	2 3/4 [70]
2, 3, 4 [50, 75, 100]	_____ NH No-Hub	4 3/4 [121]
2, 3, 4 [50, 75, 100]	_____ NL Neo-Loc	3 3/4 [95]

PREFIXES

- _____ Z- D.C.C.I. Body and Grate*
- _____ ZB- D.C.C.I. Body with Polished Bronze Grate (Add 3/16 [5] to 2 [51] Dim.)
- _____ ZN- D.C.C.I. Body with Polished Nickel Bronze Grate (Add 3/16 [5] to 2 [51] Dim.)

SUFFIXES

- | | |
|---|--|
| _____ -AR Acid Resisting Epoxy Coated Cast Iron | _____ -V Backwater Valve (See Z-1099) |
| _____ -DG Duresist Grate | _____ -VP Vandal Proof Secured Top |
| _____ -F Extension Frame | _____ -Y Sediment Bucket |
| _____ -G Galvanized Cast Iron | _____ -90 90° Threaded Side Outlet Body (2 thru 4 [50 thru 100]) |
| _____ -P Trap Primer Connection | |
| _____ -S Secondary Strainer | |
| _____ -SC Solid Cover | |
| _____ -SG Solid Gasketed Cover | |
| _____ -TS Top Secured With Slotted Screws | |

*REGULARLY FURNISHED UNLESS OTHERWISE SPECIFIED

REV.	DATE: 9/16/98	C.N. NO. 81218
DWG. NO. P-14667 PRODUCT NO. Z-508-84		