



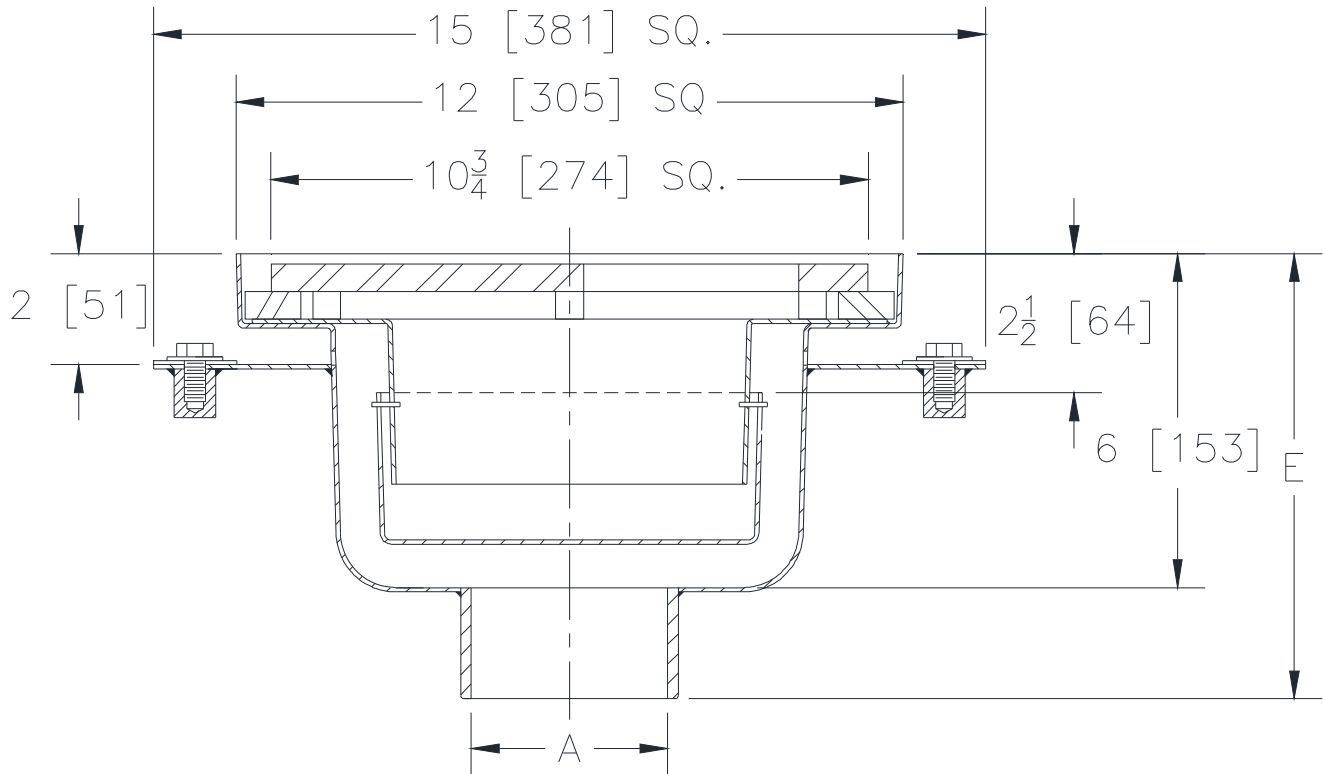
Z1753-88

12 x 12 x 6 [305 x 305 x 153] DEEP SANI-FLOOR RECEPTOR WITH PERIMETER DRAINAGE, HALF COVER, AND BELL TRAP BUCKET

SPECIFICATION SHEET

TAG _____

Dimensional Data (inches and [mm]) are Subject to Manufacturing Tolerances and Change Without Notice



A Pipe Size Inches [mm]	Approx. Wt. Lbs. [kg]
2,3,4 [51,76,102]	15[7]

ENGINEERING SPECIFICATIONS: ZURN Z1753-88

12" x 12" x 6" [305mm x 305mm x 153mm] Deep, all Type 304 (CF8) stainless steel Sani-Floor receptor with non-tilt, 1/2" [13mm] thick, light duty, half cover with perimeter drainage, combination bell trap/sediment bucket, anchor flange with seepage holes and clamp collar. Drain body must be supported by concrete pour.

OPTIONS (Check/specify appropriate options)

PIPE SIZE

2, 3, 4 [51,76,102]
2 [51]
3 [76]
4 [102]
2, 3, 4 [51,76,102]
2, 3, 4 [51,76,102]

(Specify size/type) OUTLET

___ IC Inside Caulk
___ IP Threaded
___ IP Threaded
___ IP Threaded
___ NH No-Hub
___ NL Neo-Loc

"E" BODY HT. DIM.

8-9/16 [218]
7-5/16 [186]
7-9/16 [192]
8-1/16 [205]
8-1/16 [205]
7-13/16 [198]

PREFIXES

___ Z Type 304 (CF8) Stainless Steel*

SUFFIXES

___ -K Anchor Flange With Seepage Holes
___ -LBT Less Bell Trap
___ -LY Less Sediment Bucket
___ -P 1/2 [13] Trap Primer Connection
___ -SR 1/2 [13] Thick Sanitary Rim at Top of Drain Body
___ -1 Less Cover

* Regularly furnished unless otherwise specified.

Zurn Industries, LLC | Specification Drainage Operation
1801 Pittsburgh Avenue, Erie, PA U.S.A. 16502 · Ph. 855-663-9876, Fax 814-454-7929
In Canada | Zurn Industries Limited
3544 Nashua Drive, Mississauga, Ontario L4V 1L2 · Ph. 905-405-8272, Fax 905-405-1292
www.zurn.com

Rev. -
Date: 12/07/17
C.N. No. 139284
Prod. | Dwg. No. Z1753-88